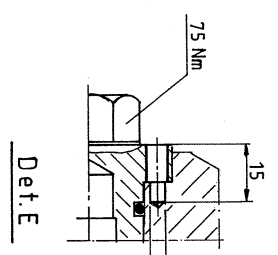
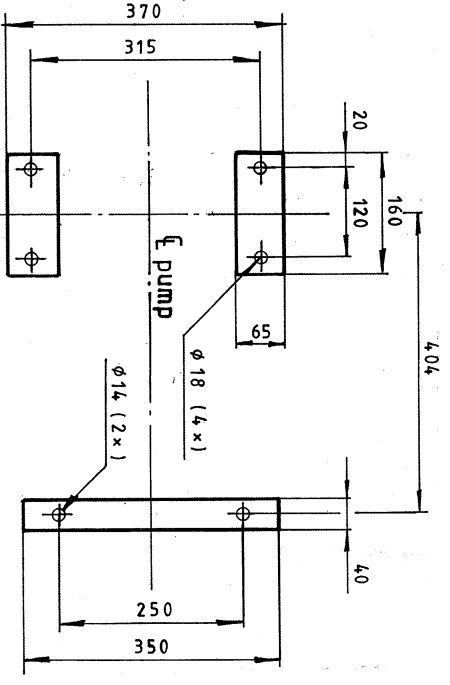
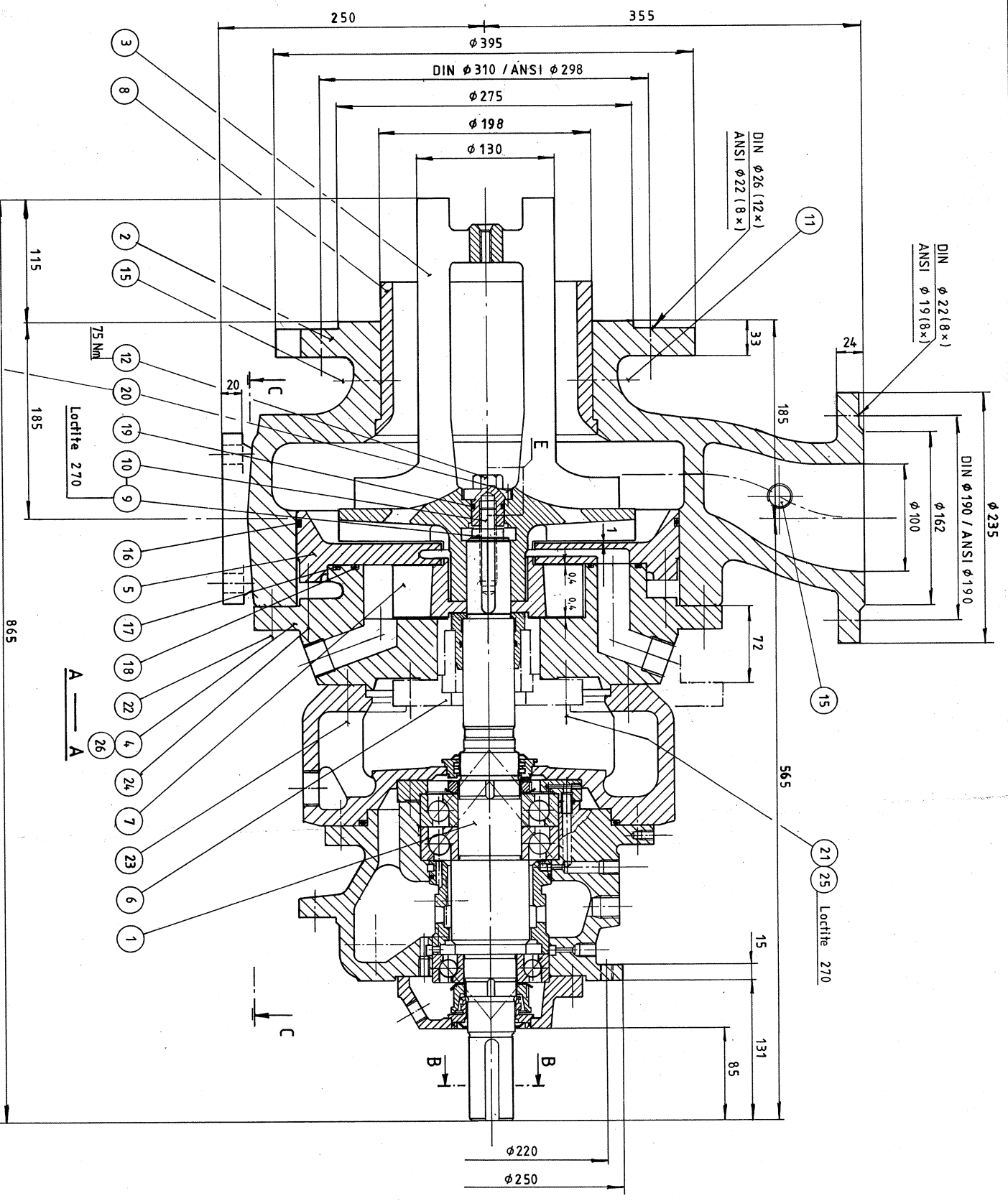
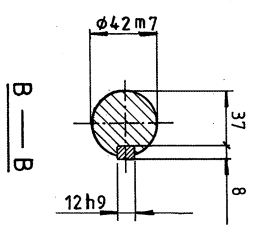
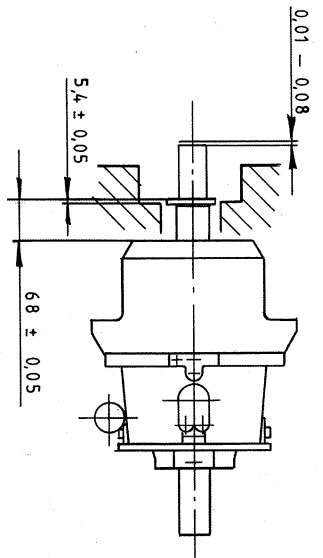


8	Utf.	Smörjningssystem / Lubrication system	Lagerenhet / Bearing unit	Pumphus / Casing
A	Öljemörjning Oil Lubrication	DWG. No 12819-98A	DIN 12820-1A	DIN 12820-1A
M	Fettsmörjning Grease Lubrication	DWG. No 12819-99A	DIN 12820-1A	DIN 12820-1A
C	Öljemörjning Oil Lubrication	DWG. No 12819-98A	ANSI 12820-324A	ANSI 12820-324A
M	Öljemörjning Oil Lubrication	DWG. No 12819-98A	DIN 12820-325 A	DIN Kemikalietutis



Efter montage av lagerenheten  
 Kontrollera  
 -Axialspellet 0,01-0,08 mm  
 -Avstånd lagerkonsol-distanshylsa 68 ± 0,05

After assembling of bearing  
 Check  
 -Axial clearance 0,01-0,08  
 -Check the distance between bearing brack and spacer 68 ± 0,05 mm



Vikt / Weight 350 kgs

Rev	Ändring	Datum	Sign	Ändring
d	Rev 0. Inf.	881129	NEL	M
b	Ävutfn. ändrad	890316	LJO	M
c	Namnskylt ändrad	890420	IN	M
d	Rev 4 inf	890911	RA	M
e	Rev 90 02 22	900222	NEL	M
f	Rev 90 12 12 inf.	901212	NEL	M
g	Rev 91 09 26	910926	NEL	M

No	Part Name	Material	Quantity	Weight
1	Lagerenhet Bearing unit			
2	Pumphus Casing			
3	Impeller			
4	Back wall			
5	Inner cover			
6	Mek. tätningssealning unit			
7	Impeller degassing			
8	Impeller sleeve			
9	Nut			
10	Pinnskruv Stud			
11	Propp Plug			
12	Mutter Nut			
13	Namnskylt Impeller			
14	Riktningsskylt Direct plate			
15	Propp Plug			
16	O-ring			
17	O-ring			
18	O-ring			
19	O-ring			
20	Stop screw			
21	Stud			
22	Screw			
23	Screw			
24	Screw			
25	Nut			
26	Plug			

The drawings, information and subject matter thereof is the confidential and exclusive property of KAWAGU AB and is not to be disclosed, copied, reproduced or used in any way without the written consent of KAWAGU AB.

**KAWAGU**  
 MCPPUMP  
 MCP 20/10  
 SMST / ASS DWG.  
 Sheet 1 of 2  
 12819-97  
 880926  
 881103  
 9