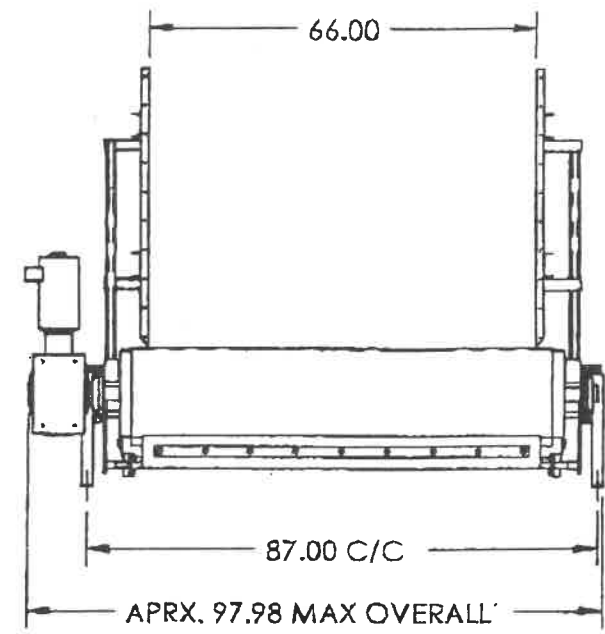


- 48" HIGH FIXED SIDE SKIRTS 14 GA GALVANIZED STEEL
- 5" DIA CEMA "D" FLAT IDLERS
- 3 HP 230/460/60/3 MOTOR TOSHIBA INVERTER DUTY
- 14" DIA HEAD PULLEY WITH .38" THICK VULCANIZED LAGGING
- BELT SCRAPER, UHMW REVERSIBLE BLADE, COUNTERWEIGHTED
- APRX. 9.25



12" TAIL PULLEY ON 12" TAKE-UPS

BLACK BELT, 150#, 2 PLY 1/8 X 1/32 COVERS

462" length

RETURN BELT SUPPORT ROLLERS

**APPROVAL DRAWING**

BY PIAV DATE 8/9

CUSTOMER Dai Sheng

P.O. 2013160

J-9498

FEEDER SPEC'S	3498
MATERIAL	PAPER
BULK DENSITY	10-30 PCF
PARTICAL SIZE	UNKNOWN
FEED RATE	9-18 TPH
DESIGN BELT SPEED	38 FPM MAX
ASSUMED MAT'L PROFILE	3.5" X 66"
BELT LOADING	APPROX. 15 LBS/FT

# 56-1180

UNLESS OTHERWISE SPECIFIED DIMENSIONS ARE IN INCHES. TOLERANCES ARE:

WELDMENTS		ASSEMBLIES	
DECIMALS	ANGLES	DECIMALS	ANGLES
XX ± .06	± 1.0	XX ± .12	± 1.0
XXX ± .032		XXX ± .063	

TECWEIGH  
1811 Buettke Rd., St. Paul, MN 55110

CAD GENERATED DRAWING, DO NOT MANUALLY UPDATE

APPROVALS	DATE
DRAWN	8/8/1
CHECKED	
APPROVED	

DO NOT SCALE FROM DRAWING

SCALE 1:32

SHEET 1 OF 1

THE INFORMATION CONTAINED IN THIS DRAWING IS THE SOLE PROPERTY OF TECWEIGH CORP. ANY REPRODUCTION IN PART OR WHOLE WITHOUT THE WRITTEN PERMISSION OF TECWEIGH CORPORATION IS PROHIBITED.

TITLE: OUTLINE DIMENSIONS WF16-72-18 W/SPCL SIDE SKIRTS, OPEN CONSTR.

SIZE DWG. NO. 26101003