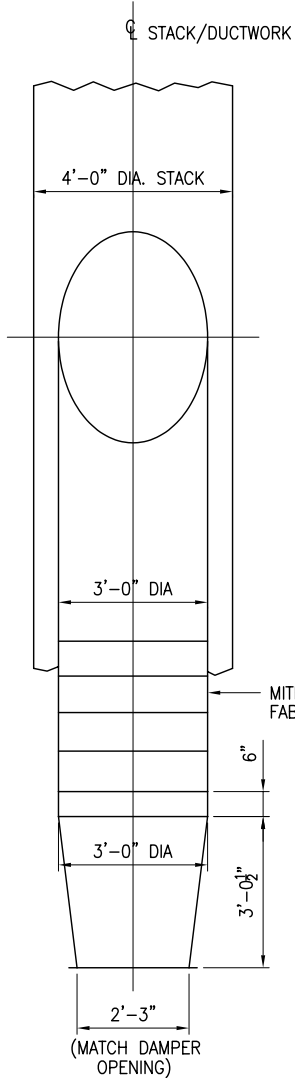
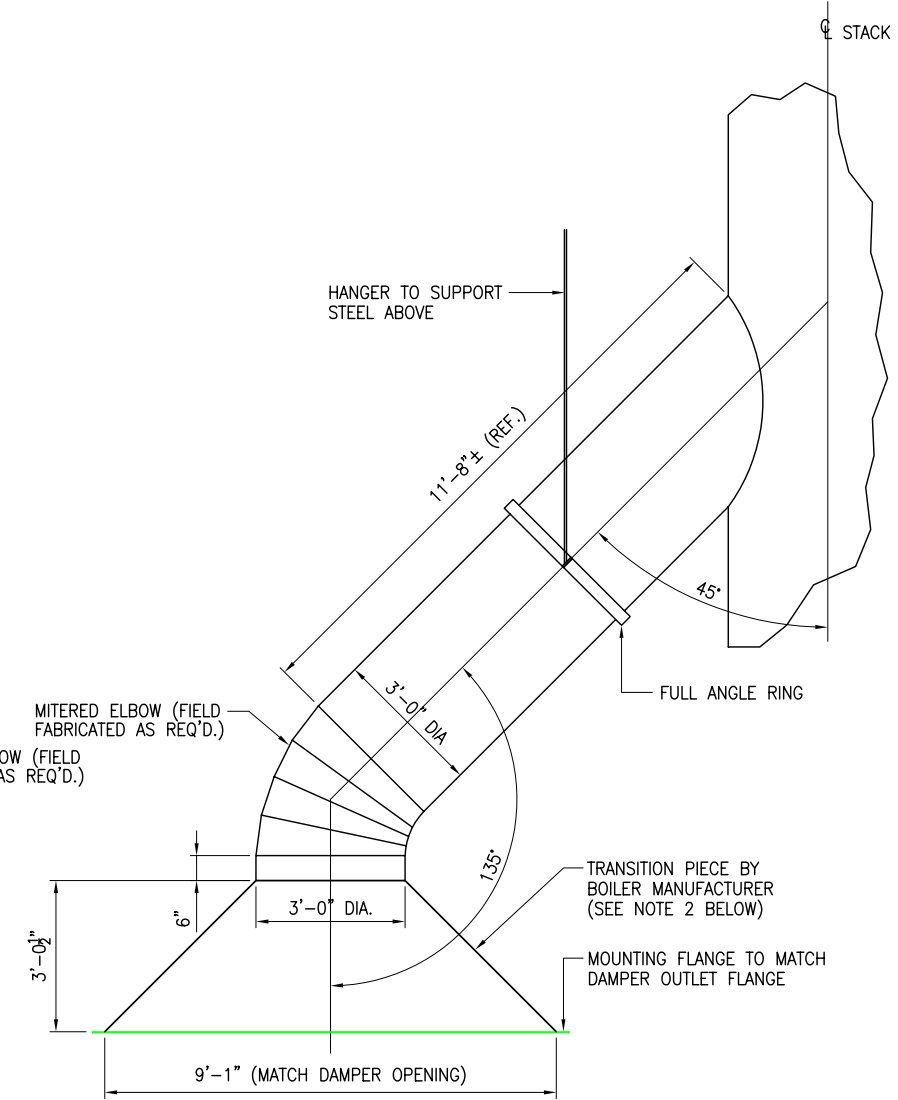


**FRONT ELEVATION (BURNER END)  
STACK AND BOILER DUCTING LAYOUT**  
SCALE: NOT TO SCALE  
NOTE: ALL DIMENSIONS SHOWN ARE FOR REFERENCE ONLY.



**SIDE ELEVATION**



**FRONT ELEVATION**

**STACK AND BOILER DUCTING ELEVATIONS**

SCALE: 1/2"=1'-0"

**NOTES:**

- DUCTING FROM TRANSITION PIECE TO STACK WILL BE FIELD FABRICATED AFTER BOILER AND ECONOMIZER ARE INSTALLED.
- TRANSITION PIECE WILL BE FABRICATED BY THE BOILER MANUFACTURER. THIS TRANSITION PIECE WILL BE FABRICATED TO ACCEPT THE (FGR) FLUE GAS RECIRCULATION PIPE. CONFIGURATION OF TRANSITION PIECE IN ABOVE DETAIL DOES NOT SHOW FGR PIPING. BOILER MANUFACTURER TO MODIFY PIECE AS NEEDED. MANUFACTURER TO BE AWARE OF HEIGHT LIMITATIONS IN THIS AREA WHICH ARE SHOWN ON THIS DRAWING. IF ADDITIONAL HEIGHT IS NEEDED FOR FGR AT TRANSITION PIECE, MANUFACTURER TO CONTACT ENGINEER IMMEDIATELY.
- DURING FABRICATION OF THE MITERED ELBOW, CONTRACTOR TO VERIFY THE DEGREE OF BEND NEEDED. CONTRACTOR TO VERIFY THE NEW 36" DIA DUCT, THAT ATTACHES TO THE NEW 48" DIA STACK NOT INTERFERE WITH THE EXISTING ROOF TRUSSES OR NEW STACK SUPPORT STEEL.
- DUCTING MATERIAL TO BE 304 STAINLESS STEEL .035" 20 GAGE.

<p><b>H&amp;A, inc.</b> CONSULTING ENGINEERS Newtown Square, Pennsylvania 19073</p>	DT. ISSUED	ISSUED FOR	0	ISSUED FOR CONSTRUCTION	TEE	2/17/09
	2/17/09	CONSTRUCTION	REV.	DESCRIPTION	BY	DATE
	BY: T.E.E	DATE: 12/22/08	<p><b>PAPERWORKS INDUSTRIES, INC</b> PLANT - BOYDARD MILL ADDRESS - PHILADELPHIA, PA</p>			
	CHK: R.M.S.	FILE				
APP.	SCALE: AS NOTED	<p><b>BOILERS INSTALLATION</b> TITLE: <b>STACK AND BOILER DUCTING LAYOUT</b></p>				
REFERENCE DWGS.	CAD DISK #	DEPARTMENT	AREA	CLASS	DWG. NO.	M050-M011