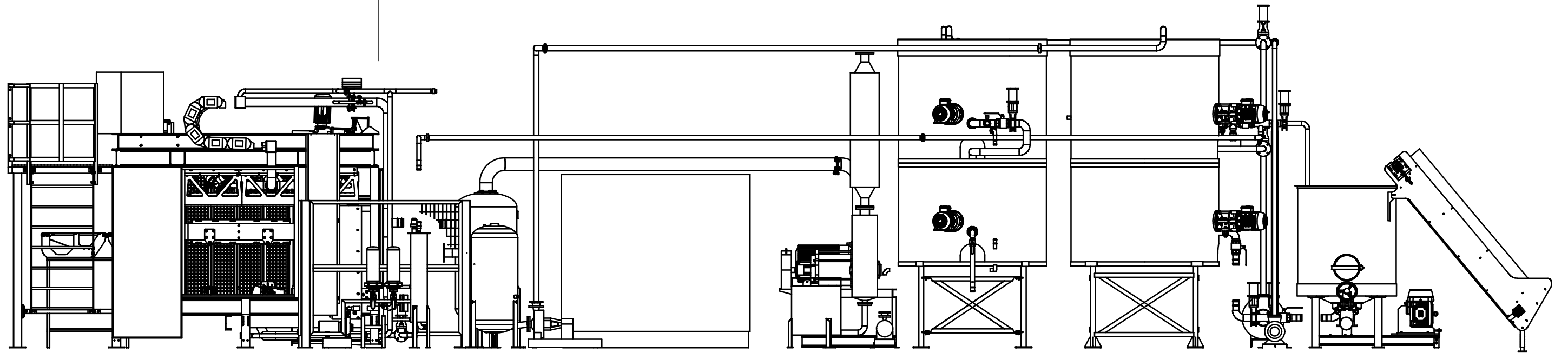
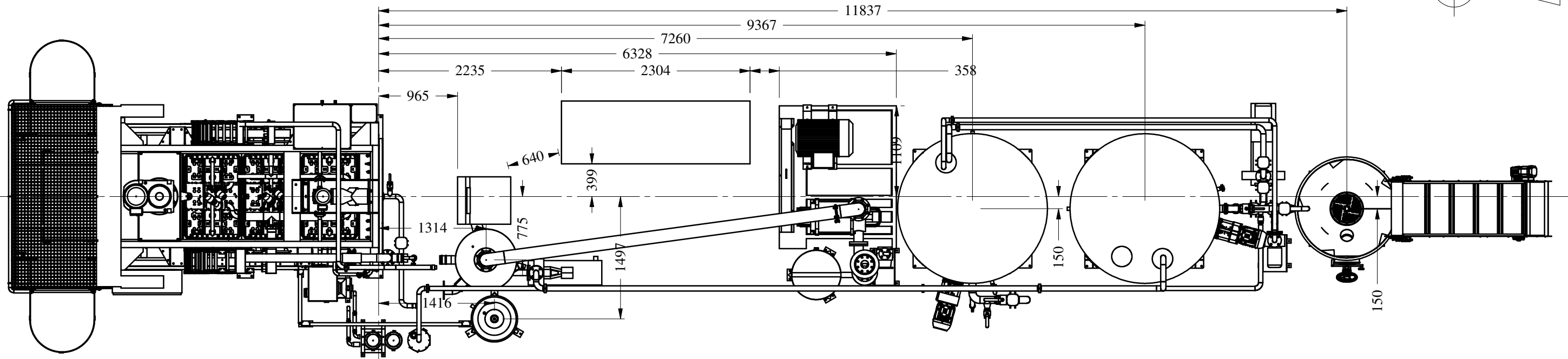
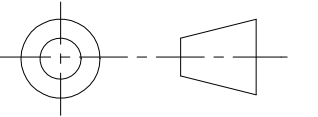


IF IN DOUBT ASK



Material:

QTY:

SOUTHERN PULP MACHINERY(Pty) Ltd.

Drawn: HVR

Date: 2011/01/24

Scale: 1:50

Drg. No.: 257-00-00

Sheet: 1 of 3 Rev: a

DO NOT SCALE