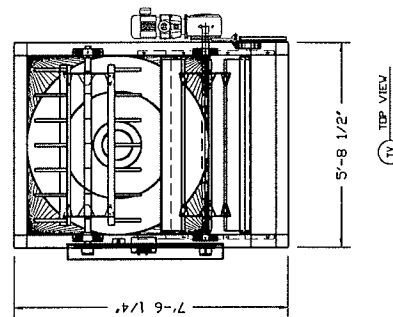


(R) REPAIR



NO.	DATE	REVISION	DESS	VER.
TITLE: S50C05-0				
CURVE: SPRAGUE PAPERBOARD CUSTOMER: VERSAILLES, CONNECTICUT				
DESS. PAR. Penelope DRAWN BY: ECH: 1/20-1-01 NO. PROJ.: 1833-(99)				
VER. PAR: RLD/eur DATE: 99.11.15 NO. REV.: REF. NO.:				
SHEET: DE OF: 1833S001 DRAWING NO.: 1833S001				
				FORMAT: C

POSEIDON'S PATENT NUMBERS:
 5,385,443
 5,779,439
 5,662,804
 OTHER PATENTS PENDING