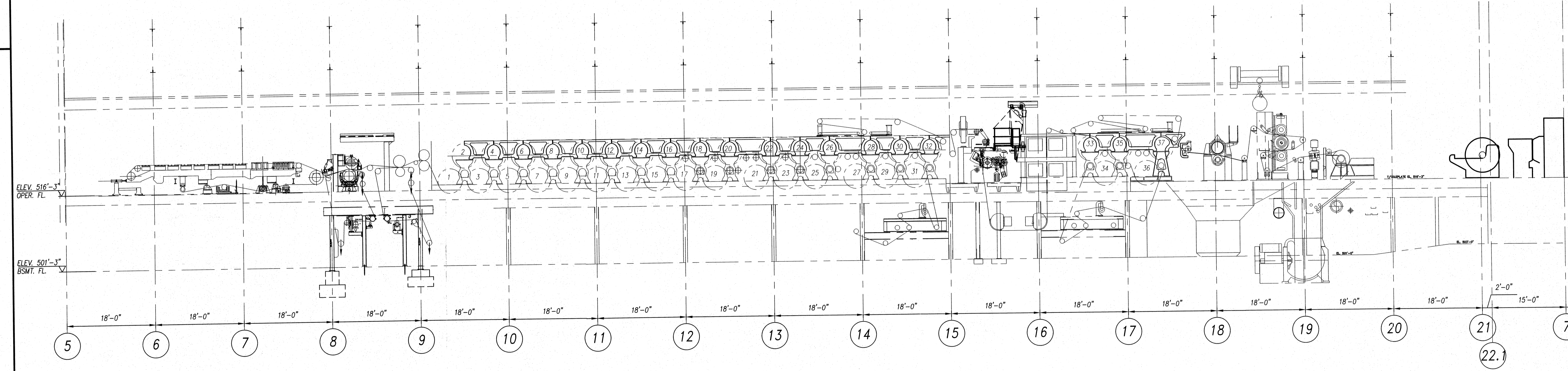


**PM3 GENERAL ARRANGEMENT**  
SCALE 3/32" = 1'-0"



**PM3 TENDING SIDE ELEVATION**  
SCALE 3/32" = 1'-0"

FOR CONCEPT USE ONLY  
NOT FOR CONSTRUCTION

DWG NO.	DESCRIPTION	DATE	BY
DRAWING REFERENCE			
1	ISSUED FOR INFORMATION ONLY	3/4/16	DA
0	ISSUED FOR INFORMATION ONLY	4/4/08	DA
REV	DATE	CHANGE	BY
REVISION			

**FraserPapers**

FRASER PAPERS, INC.  
MADAWASKA, MAINE  
NO. 3 PAPER MACHINE

PM3 GENERAL ARRANGEMENT

DR: D. ALBERT	SCALE:	
CHK:	JOB NO.	
DATE: 4/4/08	APPD:	
ENTITY NO	DWG. NO.	REV.
	M-10-13608	1

R:\Drawings\Imports\DUANE\PM3\_Clipart\13608.dwg