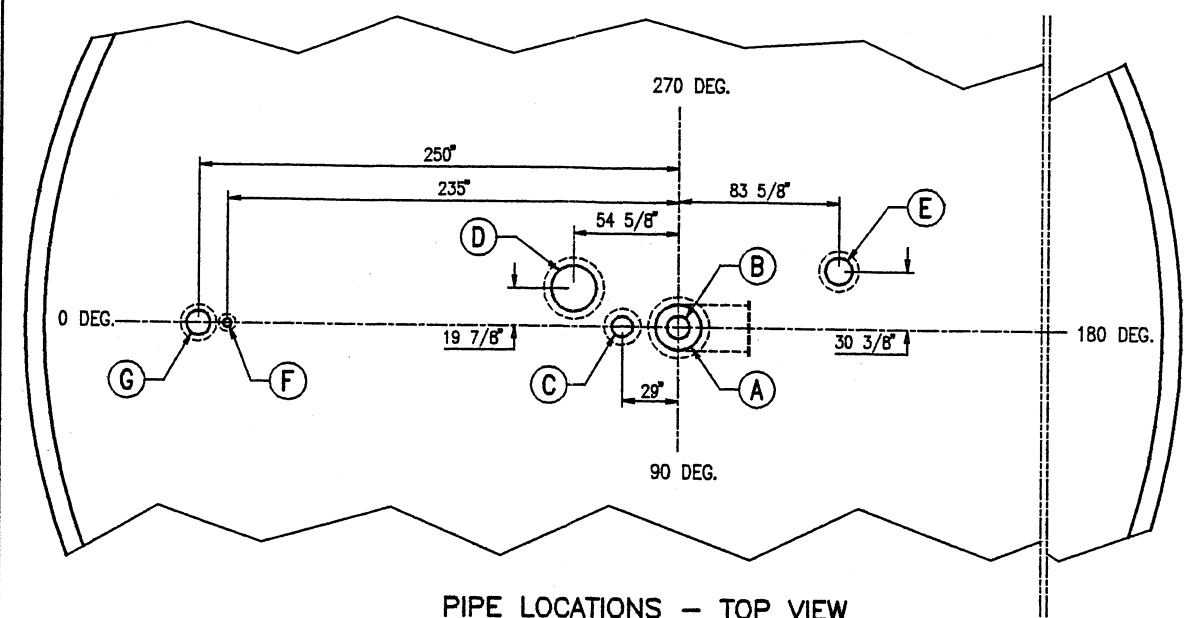


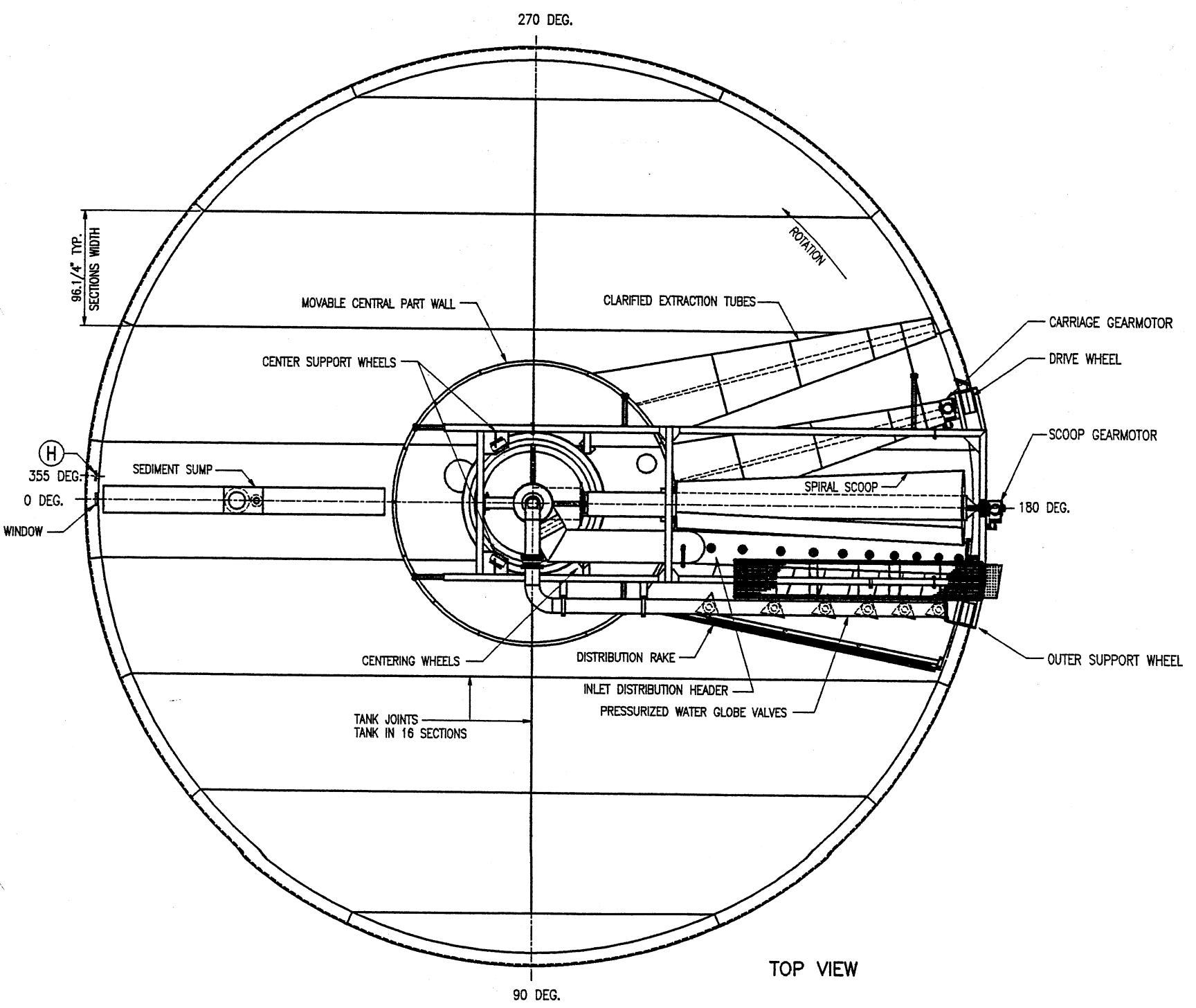
SECTION VIEW



PIPE LOCATIONS - TOP VIEW

ITEM	DESCRIPTION	RAD. FROM CENTER
A	24" DIA. UNCLARIFIED WATER INLET	SEE DRAWING
B	10" DIA. PRESSURIZED WATER INLET	0
C	12" DIA. FLOATED SLUDGE OUTLET	29"
D	24" DIA. CLARIFIED WATER OUTLET	58"
E	14" DIA. CLARIFIED RECYCLE OUTLET	89"
F	4" DIA. SEDIMENT PURGE OUTLET	235"
G	12" DIA. DRAIN OUTLET	250"
H	3" DIA. LEVEL NOZZLE	SEE DRAWING

ALL CONNECTIONS ARE TO ANSI #150 LB. FLANGE DIMENSIONS.  
 A, B, C, D, E ARE VANSTONE TYPE WITH STEEL BACKING FLANGE. F AND G HAVE TAPPED HOLES INTO STEEL PLATE.



TOP VIEW

TOTAL EQUIPMENT AND WATER WEIGHTS	
OPERATING:	346,000 LB.
FLOODED:	551,000 LB.

MATERIALS OF CONSTRUCTION:  
 WETTED PARTS IN 304L STAINLESS STEEL. NON-WETTED PARTS IN EPOXY PRIMED MILD STEEL.

CUSTOMER SUPPORT STRUCTURE REQUIREMENTS:  
 SUPPORT BEAMS AT MAXIMUM 8 FT. TO 9 FT. CENTERS, MAXIMUM OVERHANG OF 4 FT., NON-DIRECTIONAL. MAXIMUM RECOMMENDED DEFLECTION OF 1:360 OVERALL. SUPPORT ALL PIPING SEPARATELY FROM SUPRACELL. ATTACH SUPRACELL TO SUPPORT WITH ANGLE BRACKETS.

**THIS DRAWING IS CERTIFIED FOR CONSTRUCTION BY:** KROFTA ENGINEERING CORPORATION  
 DATE: JANUARY 31, 1995  
 KROFTA JOB #19503, SPC-62  
**FOR:** SBCCS CONSTRUCTORS, Joint Venture  
 ONE WEST COURT SQUARE, SUITE 550  
 DECATUR, GA 30030  
**REF:** HAGERSTOWN FIBER  
 PROJECT NO. 9506  
 CUSTOMER P.O. #00303-8180

EQUIPMENT #45-00-005-001  
 #45-00-025-001

REF: SBCCS CONSTRUCTORS, 19503  
 AUTO LEVEL CONTROL, DOUBLE JOINT WITH MANUAL VALVES.

THIS PRINT IS THE PROPERTY OF KROFTA ENGINEERING CORPORATION AND IS STRICTLY CONFIDENTIAL. NO PART IS TO BE PUBLISHED OR TRANSMITTED TO OTHERS. IT IS SUBJECT TO RETURN UPON DEMAND.

REVISIONS	DATE	DRN.	WEIGHT
A	27 JAN. 95	F.S.	CHK: MPN

APP: DATE: 14 DEC. 94  
 DWG.

**KROFTA** ENGINEERING CORP. LENOX, MA. 01240

**KROFTA SUPRACELL, SPC 62**  
 DOUBLE JOINT UNIT  
 OUTLINE & PIPE LOCATIONS DRAWING  
 U3-SPC-1926

FLANGES: ANSI  
150 LB. (10 BAR)  
DRILLING, VANSTONE  
TYPE WITH S.S.  
FACE RINGS.

6" (168.3 mm) INLET

3/8" FPT CONN.

SUPPORT CLAMPS  
BY CUSTOMER

1/2" FPT  
AIR PANEL CONN.  
TWO EA. SIDE

6" (168.3 mm) OUTLET

3/8" FPT CONN.

AIR PANEL CONNS:  
(2) THIS SIDE  
(2) OTHER SIDE

1/2" FPT CONN.

SUPPORT PLATES  
BY CUSTOMER

ALL DIMENSIONS  
CENTERED  
39 3/8" (1000 mm)  
56" (1422 mm)  
MAX. 10" (250 mm) WIDE ANCHOR STRAPS  
(BY CUSTOMER)

90 1/2" (2299 mm)

106" (2692 mm)

**SIDE VIEW**

"X"

"X"

INLET FIXED AT 0 DEG.

OUTLET STANDARD

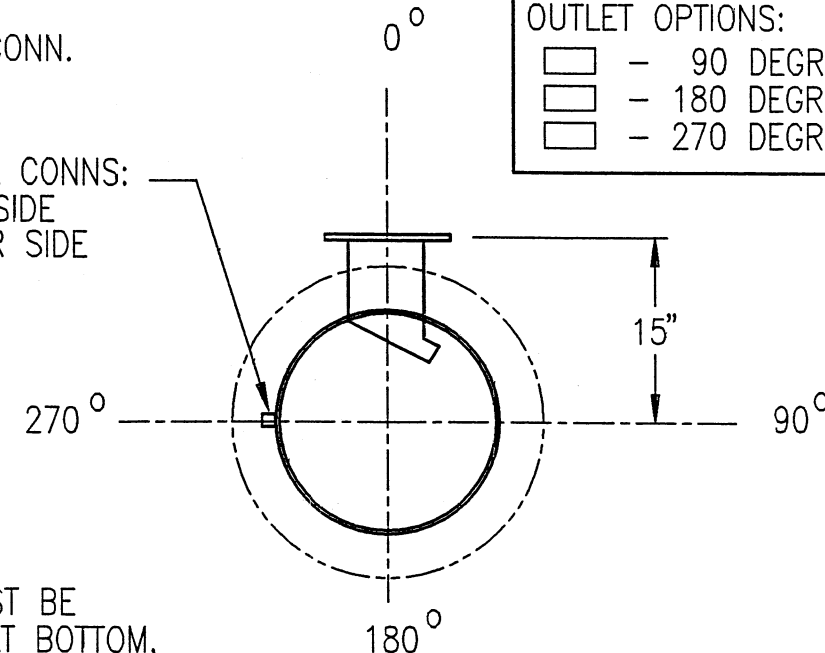
☒ - 0 DEGREES

OUTLET OPTIONS:

☐ - 90 DEGREES

☐ - 180 DEGREES

☐ - 270 DEGREES



**SECTION X - X**

**THIS DRAWING IS CERTIFIED FOR CONSTRUCTION**

BY:	KROFTA ENGINEERING CORPORATION	EQUIPMENT	#45-00-005-002
	DATE: JANUARY 31, 1995		#45-00-005-003
	KROFTA JOB #19503, SPC-62		#45-00-005-004
FOR:	SBCCS CONTRACTORS, Joint Venture		#45-00-025-002
	ONE WEST COURT SQUARE, SUITE 550		#45-00-025-003
	DECATUR, GA 30030		#45-00-025-004
REF:	HAGERSTOWN FIBER		
	PROJECT NO. 9506		
	CUSTOMER P.O. #00303-8180		

NOTES:

MATERIAL: STAINLESS STEEL PER SPEC.  
FLANGES MILD STEEL, PAINTED OR GALVANIZED

MPT = MALE NPT PIPE THREAD  
FPT = FEMALE NPT PIPE THREAD

SUPPORT SECURELY BY PIPE HANGERS  
OR FLOOR SADDLE (BY CUSTOMER)

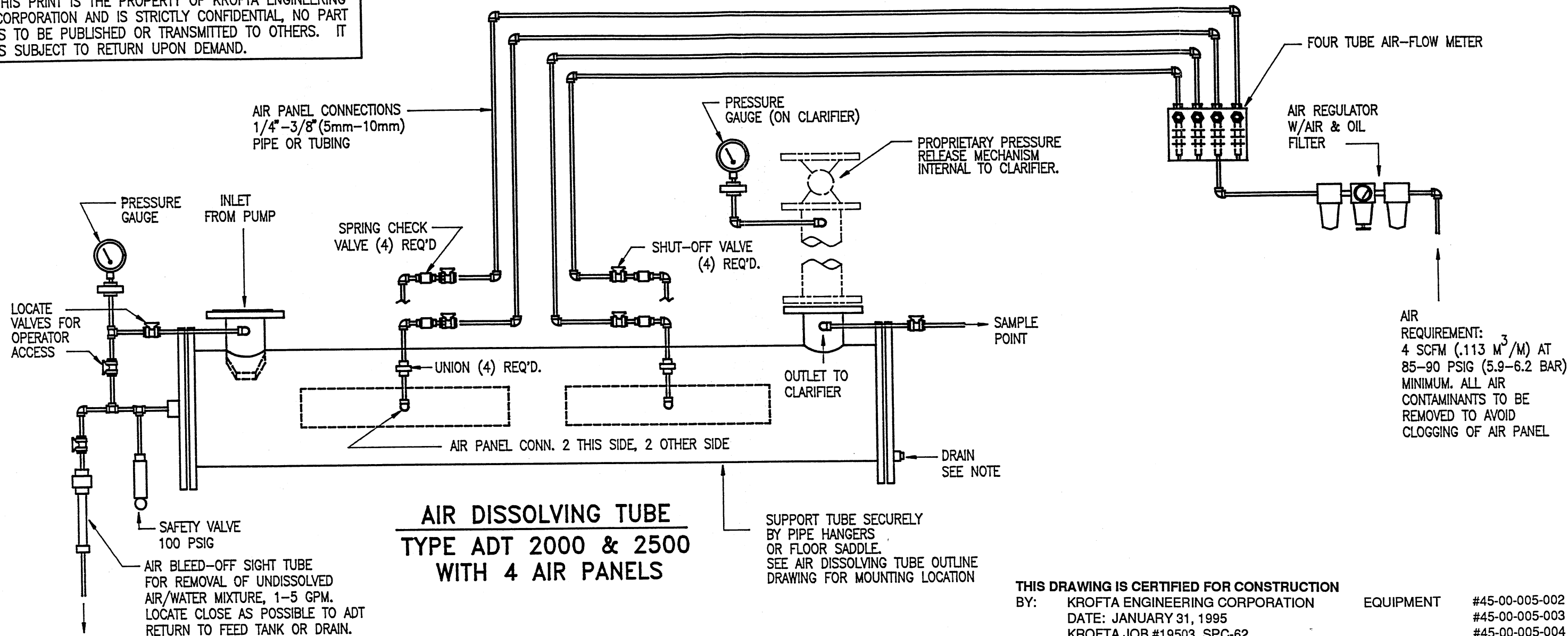
FLOODED WEIGHT: 1500 lbs (680 kgs.)

**VERTICAL POSITION INSTALLATION:**

USE TWO TUBE CLAMPS TO SUPPORT THE  
ADT. OR MOUNT SUPPORT PLATES TO  
FLANGE BOLTS AS SHOWN IN PHANTOM.  
WELDING BRACKETS TO THE TUBE SURFACE  
IS NOT RECOMMENDED.

REVISIONS	DATE	DRN.	WEIGHT
			SEE NOTES
			DRN: PAW
19503	ADDED SPECIAL COMM.	25 JAN. 95	F.S. CHK: FS, SEP. 28/94
			SCALE: NTS
			DATE: AUG. 18, 1994
			DWG. REV.19503
<b>KROFTA TYPE 2500 AIR DISSOLVING TUBE OUTLINE DRAWING</b>			<b>U3-DT-252</b>

THIS PRINT IS THE PROPERTY OF KROFTA ENGINEERING CORPORATION AND IS STRICTLY CONFIDENTIAL, NO PART IS TO BE PUBLISHED OR TRANSMITTED TO OTHERS. IT IS SUBJECT TO RETURN UPON DEMAND.



**AIR DISSOLVING TUBE  
TYPE ADT 2000 & 2500  
WITH 4 AIR PANELS**

**THIS DRAWING IS CERTIFIED FOR CONSTRUCTION**

BY:	KROFTA ENGINEERING CORPORATION	EQUIPMENT	#45-00-005-002
DATE:	JANUARY 31, 1995		#45-00-005-003
	KROFTA JOB #19503, SPC-62		#45-00-005-004
FOR:	SBCCS CONTRACTORS, Joint Venture		#45-00-025-002
	ONE WEST COURT SQUARE, SUITE 550		#45-00-025-003
	DECATUR, GA 30030		#45-00-025-004
REF:	HAGERSTOWN FIBER		
	PROJECT NO. 9506		
	CUSTOMER P.O. #00303-8180		

**NOTES FOR INSTALLATION AND COMPONENTS**

- |  |   |
|--|---|
| <ol style="list-style-type: none"> <li>1. SEE EQUIPMENT SPECIFICATION LIST FOR COMPONENTS PROVIDED BY KROFTA</li> <li>2. SEE ADT OUTLINE DRAWING FOR DIMENSIONS</li> <li>3. SYSTEM PRESSURE REQUIREMENTS: NOMINAL PUMP RATING IS 180 FT. (55 METERS) HEAD, 78 PSIG (5.4 BAR). THE ADT INDUCES AN 8 PSIG (.5 BAR) PRESSURE LOSS AT RATED FLOW. MINIMUM PRESSURE AT CLARIFIER PRESSURE RELEASE POINT IS 60 PSIG (4 BAR). IF PIPING/ HEAD LOSSES EXCEED 10 PSIG (.7 BAR), PUMP RATING SHOULD BE INCREASED</li> <li>4. ADT CAN BE INSTALLED IN THE FOLLOWING POSITIONS:<br/>TUBE HORIZONTAL - ANY POSITION<br/>TUBE VERTICAL - INLET ON TOP</li> </ol> | <p>DRAIN MUST BE LOCATED AT BOTTOM OF ADT. ROTATE END FLANGE IF REQUIRED</p> <ol style="list-style-type: none"> <li>5. INLET AND OUTLET PIPING TO BE 150 LB. (10 BAR) RATED. ISOLATE PIPING WEIGHT &amp; PUMP VIBRATION FROM ADT CONNECTIONS. FLEXIBLE EXPANSION JOINTS AT ADT CONNECTIONS ARE RECOMMENDED</li> <li>6. AIR &amp; BLEED OFF LINES TO BE RATED FOR 100 PSIG (7 BAR) MINIMUM</li> <li>7. AIR PIPING TO EXTEND ABOVE HIGHEST POINT OF ADT WATER PIPING TO AVOID WATER BACKFLOW INTO AIR LINES</li> <li>8. MISC. VALVES TO BE GATE OR BALL TYPE</li> </ol> |
|--|---|

REVISIONS	DATE	DRN.	WEIGHT
			DRN: PAW
			CHK: <i>[Signature]</i>
			SCALE: NONE
<b>AIR DISSOLVING TUBE TYPES 2000 &amp; 2500</b>			DATE: AUG.18/94
<b>FOR CLARIFIERS WITH INTERNAL PRESSURE RELEASE INSTALLATION &amp; COMPONENTS</b>			DWG. <b>U3-DT-253</b>