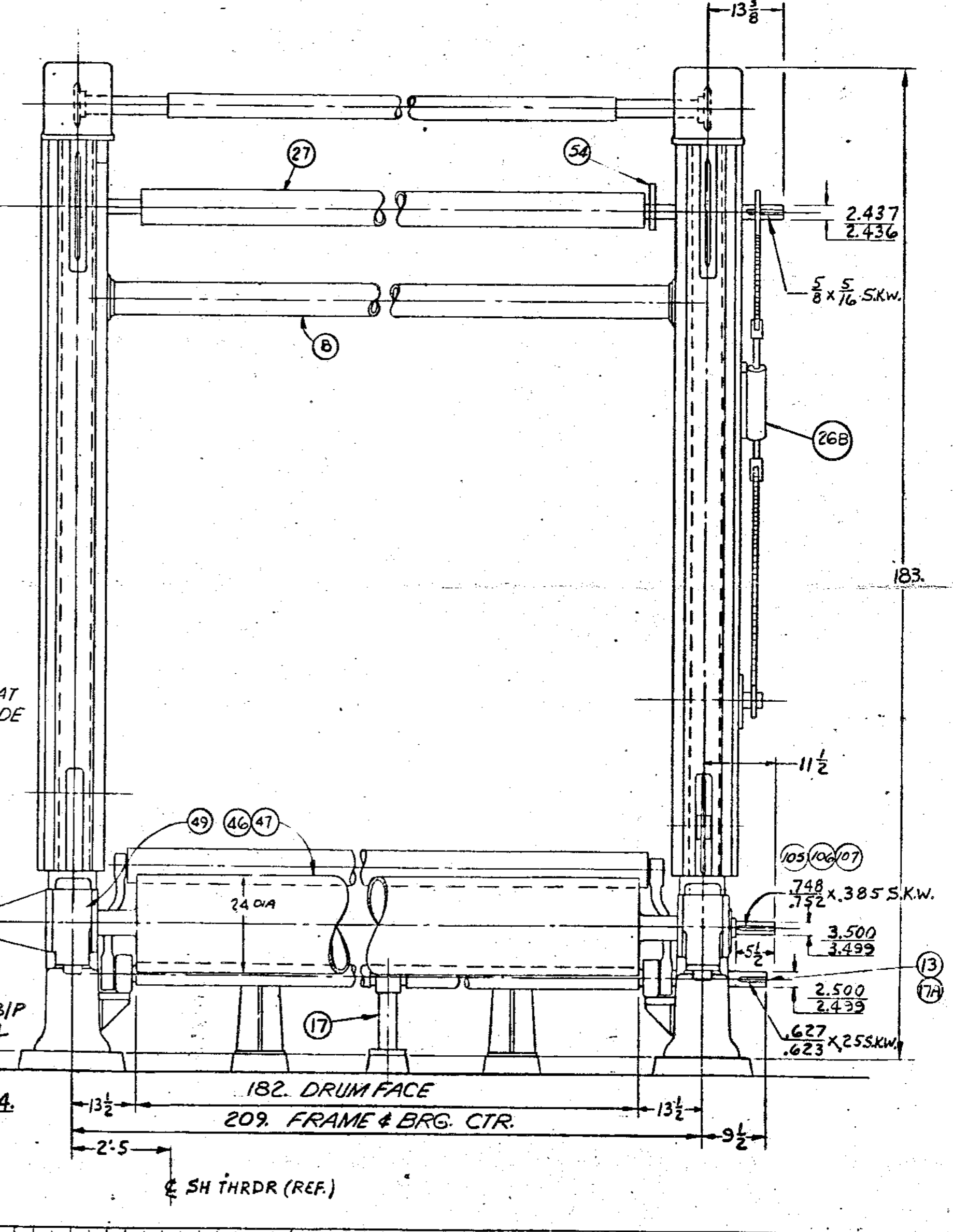
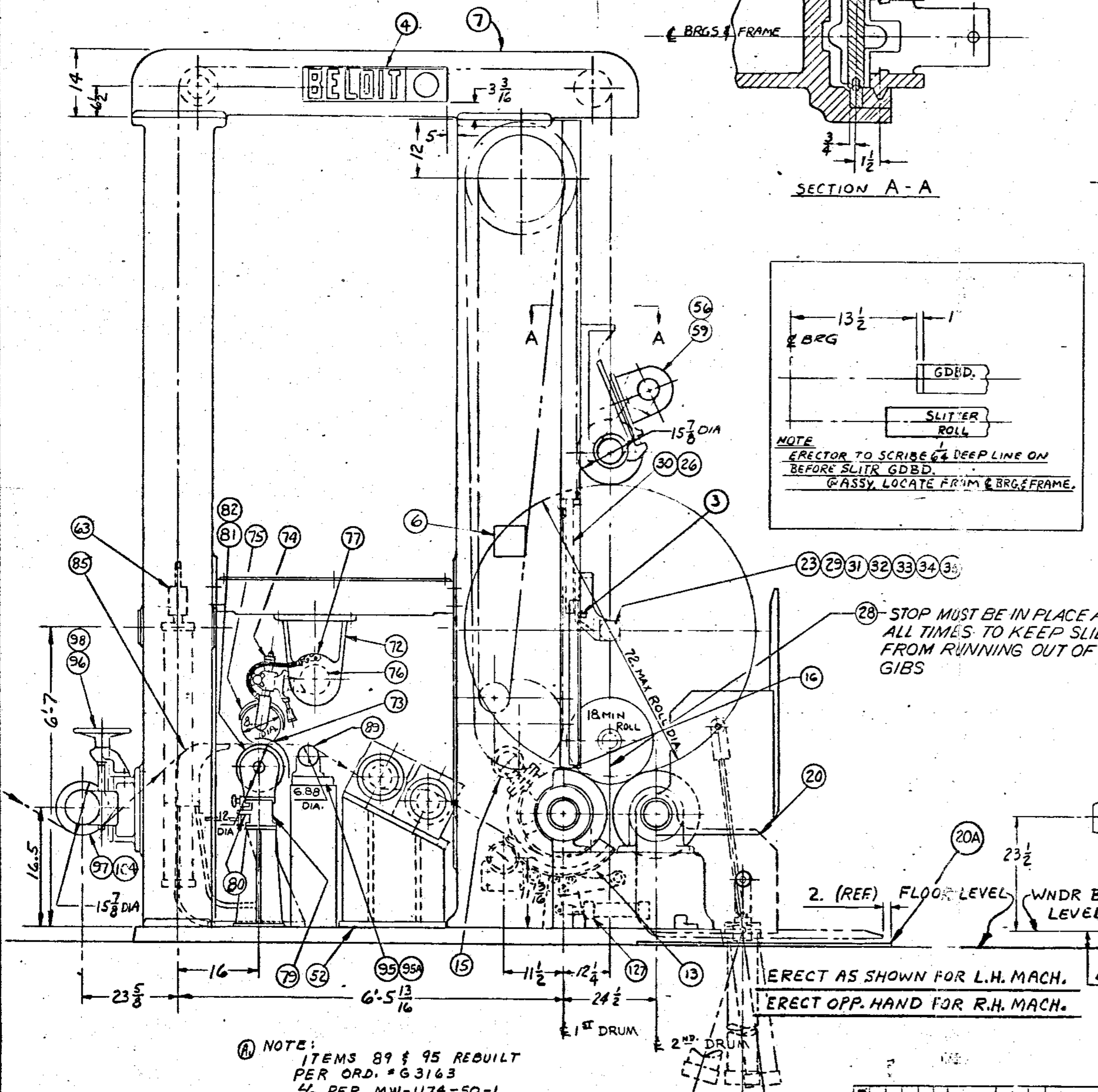
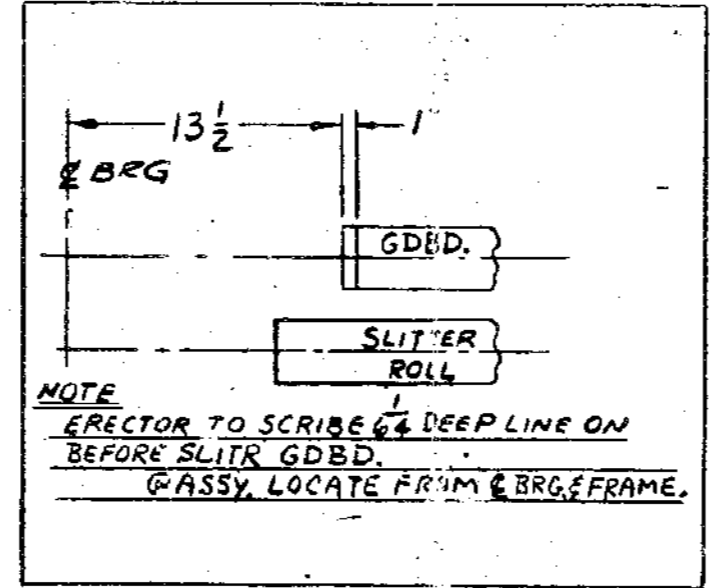
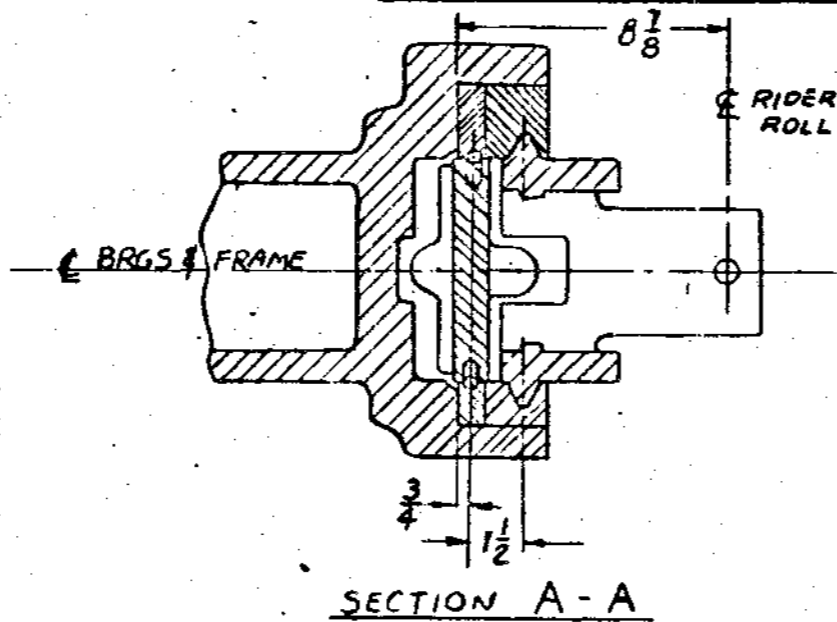


W3-8387

BELOIT EASTERN CORP

ITEMS NOT SHOWN
114 WNRD FDN. PLAN



28 STOP MUST BE IN PLACE AT ALL TIMES TO KEEP SLIDE FROM RUNNING OUT OF GIBS

ERECT AS SHOWN FOR L.H. MACH.
ERECT OPP. HAND FOR R.H. MACH.

NOTE:
ITEMS 89 & 95 REBUILD
PER ORD. # G3163
1/2 PER MW-1174-50-1

CUSTOMER	ORDER NO.	DATE
SCOTT PAPER COMPANY MOBILE, ALABAMA	DS810	

APP'D	DATE	WALT	EXAMINED
J.H.A.G.	12/10	W.T.S.	

BELOIT EASTERN CORP	
S/M ITEM NO. 3	W3-8387
M24-GR-72 WINDER ARR.	

ANAL. & SIM. TO W3-7718

183

13
7A

FILMED