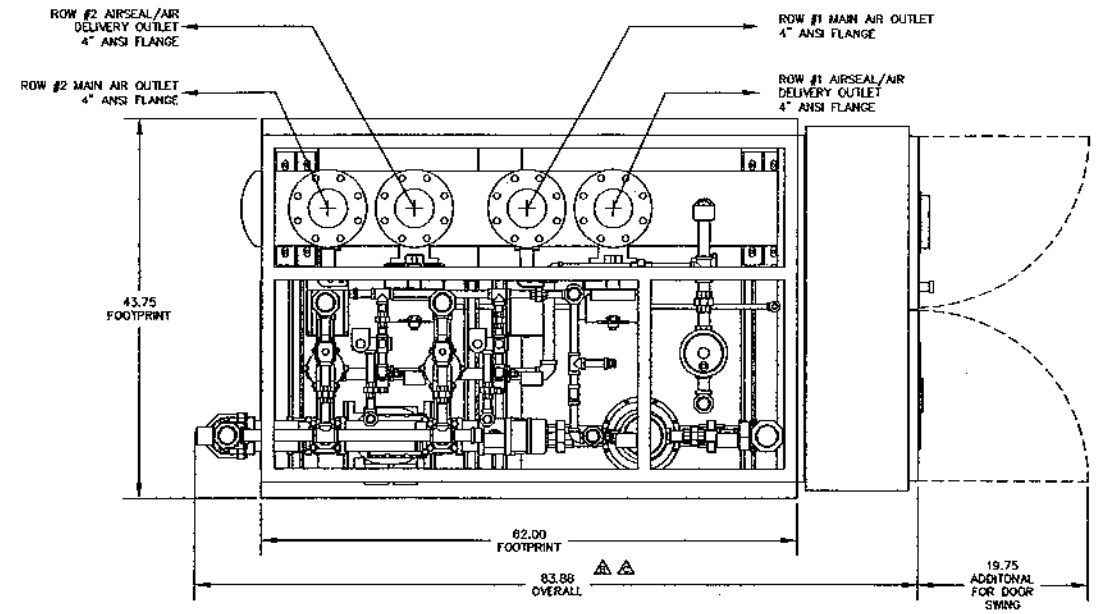
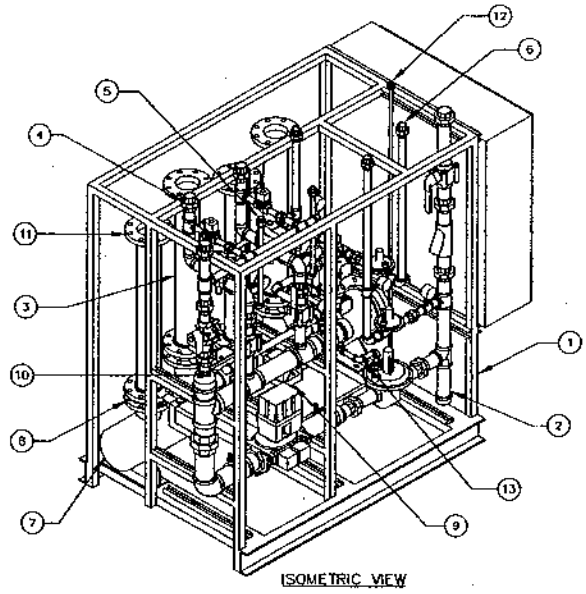


8 7 6 5 4 3 2 1

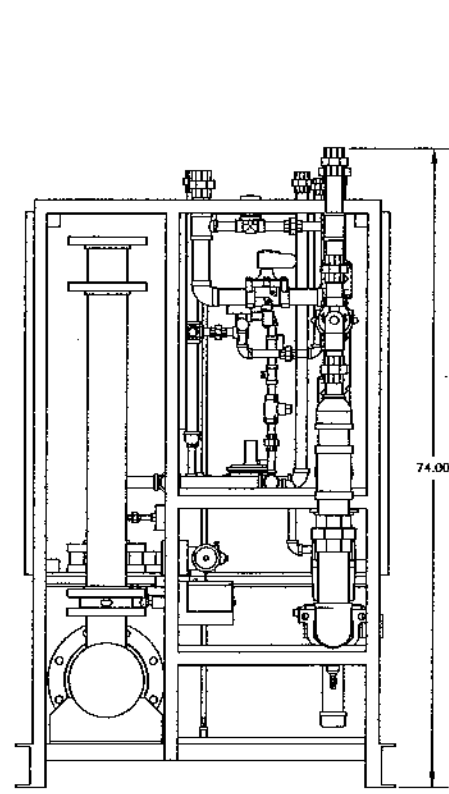
REVISIONS				
REV.	BY	DESCRIPTION OF CHANGE	DATE	APP'D BY
B	04-24	OVERALL SIZE WAS 73.50" X 68.50". ADDED COMPRESSED AIR HEADER	JAN 7/21/01	JAL
I	04-10	DM WAS 63.00. ADDED BUM, MOVED REGULATOR VENT HEADER	JAN 9/10/01	JAL
C	04-01	AS BUILT. UPDATED GAS TRIM, DM WAS 62.63	JAN 10/24/01	JAL



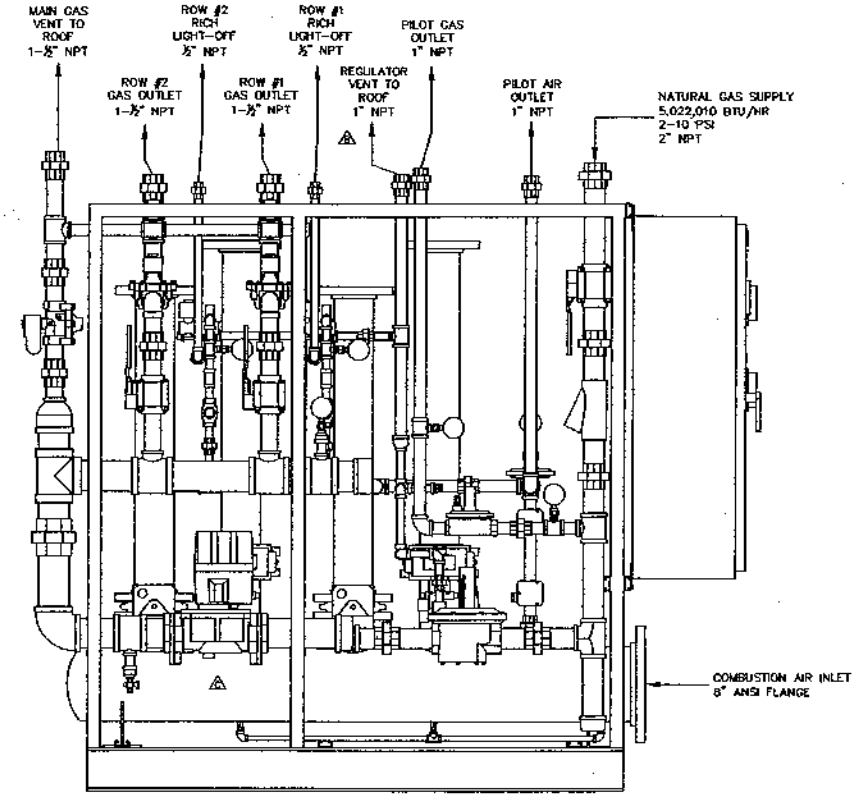
TOP VIEW



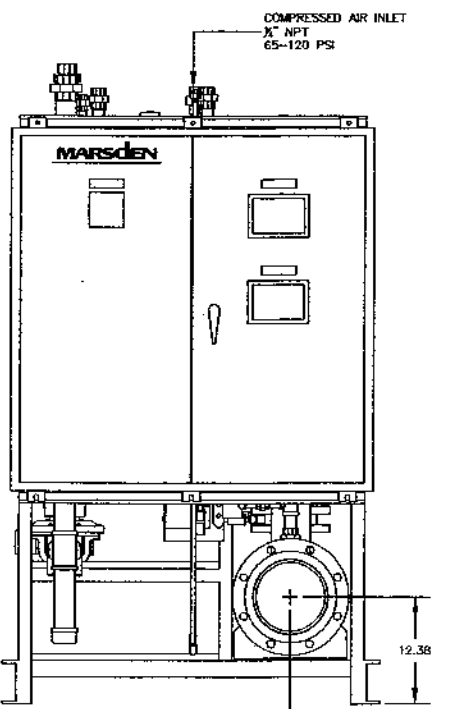
ISOMETRIC VIEW



LEFT END VIEW



TOP VIEW



RIGHT END VIEW

REV.	QTY.	PART NUMBER	DESCRIPTION	MANUFACTURER	EQUIPMENT NO.
13	1	FC19528	Assembly, Regulator Vent Header, Skid Mtg.	MARSDEN	
12	1	FB19527	Assembly, Compressed Air Header	MARSDEN	
11	4	FB19526	Assembly, Header Extension, 4" FL x 36" L	MARSDEN	
10	2	091-044-7490-6	4" PDC EGGY Valve, 115V	PDC	
9	2	06M50-361R107	Actuator, Assembly, 110-120VAC, 4-20mA Input	SIMONS	
8	12	32 FLTY GASKET	O-ring, Flange End Tee, C, of 1/2" NPS Ingress, UNF 1/2", in 100 Range	310 PIPING	
7	1	FC15447	Mounting, Air Header, 6" x (4) 4" Outlets	MARSDEN	
6	1	0P19521	Assembly, Pilot Air Header, Skid Mount	MARSDEN	
5	2	0C15220	Assembly, Rich Light-off	MARSDEN	
4	2	0C15223	Assembly, Secondary Gas Trim, 1-1/2"	MARSDEN	
3	1	FC19524	Assembly, Main Gas Vent, 1-1/2"	MARSDEN	
2	1	0C19522	Assembly, Main Gas Trim, 3" NPT	MARSDEN	
1	1	FD19443	Mounting, CSE Skid	MARSDEN	

AS BUILT

RELEASED ON 7/6/2001
 PLEASE SIGN AND RETURN
 BY _____ OR
 DELIVERY WILL BE AFFECTED

This print is the property of Marsden Inc. and is subject to recall as demand, and use, disclosure, reproduction, distribution, tracing, or use of information contained herein, without prior written approval of Marsden Inc. is prohibited. All rights of design or invention are reserved.

Title: MARSDEN Address: 1575 171 ST ROAD PENNSAUKEN, NJ 08110-1313 USA Phone: 856-231-1000 Fax: 856-231-1001 E-mail: sales@marsden.com	Title: MARSDEN, INC. Address: 1575 171 ST ROAD PENNSAUKEN, NJ 08110-1313 USA Phone: 856-231-1000 Fax: 856-231-1001 E-mail: sales@marsden.com
Customer: SPRAGUE PAPERBOARD VERSAILLES, CT POST-AIRKNIFE IR	Drawing Title: ASSEMBLY, COMBUSTION SUPPORT EQUIPMENT (CSE) SKID
Drawn By: A. LEVAN Date: 7/26/01	Drawing Size: A3 Date: 7/10/01
Project: PILOT Scale: 1:1	Work Order No.: 5-0250 Sheet: 1 of 1 Drawing Number: 0215428

8 7 6 5 4 3 2 1