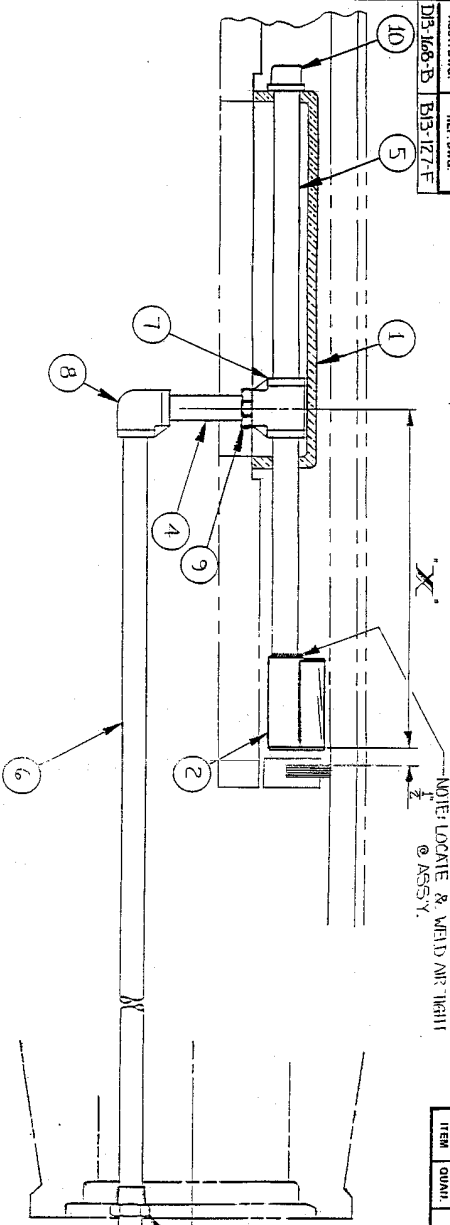
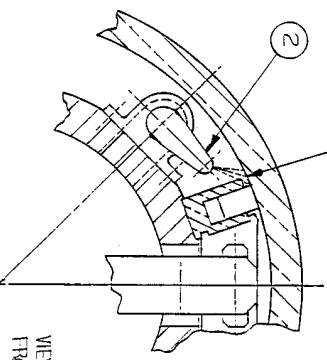


ASST. DWG. REF. DWG.
 D13-168-B D13-127-F



LOCATE AIR SYSTEM BEFORE WELDING



2047 1 MS91, RECD - F.O. # 209310
 X 15 16

ITEM	QUAN.	DESCRIPTION	M/F T.L. SOURCE
------	-------	-------------	-----------------

10	(1)	3/4" NET SLS. ST. PIPE CAP	
9	(1)	3/4" - 1/2" NET SLS. ST. REDUCER BUSHING	
8	(1)	1/2" NET SLS. ST. FLANGE BUSHING	
7	(1)	3/4" NET SLS. ST. NUT	
6	(1)	1/2" S&H AD. N. S. T. SLS. ST. PIPE	
5	(1)	3/4" NET X 1 1/2 LG. SLS. ST. PIPE	
4	(1)	1/2" S&H AD. N. S. T. SLS. ST. PIPE	
3	(1)	NOZZLE	
2	(1)	NOZZLE HOLDER	
1	(1)	ASSEMBLY	

MIAMI MACHINE CORP.
 OVERBECK, OHIO 45055

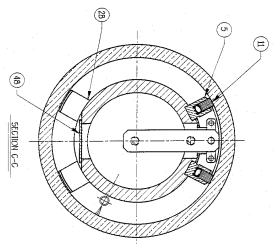
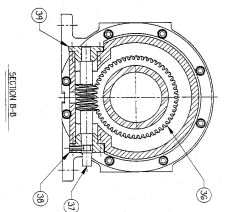
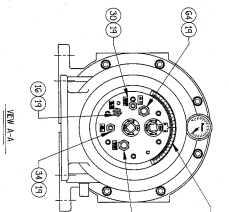
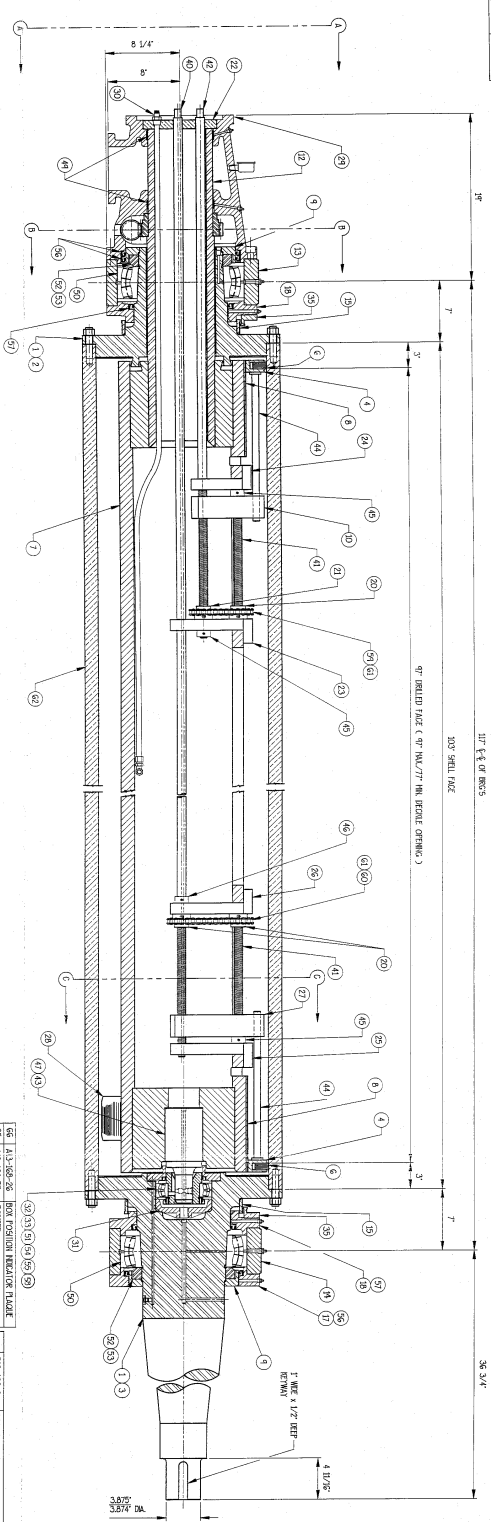
NO.	DATE	DESCRIPTION
REVISION		

TITLE
 ASSEMBLY OF AIR JET

SCALE BY DATE DWG. NO. M/F T.L. SOURCE
 NONE NONE 10/27/54 B 13-168-C

1/2" x 4" CROSS

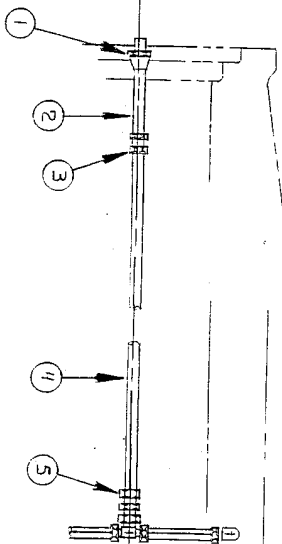
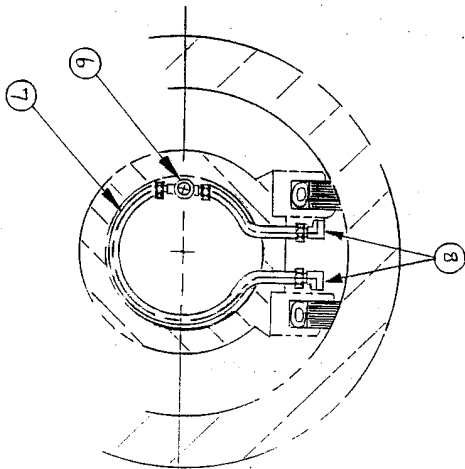
3/8 x 3/4"



NOTE: FOR GENERAL INFORMATION REGARDING
 SECTION DRAWING NOTATION
 SEE DWG. CO-200-A

REV	DATE	DESCRIPTION	BY	CHKD	APP'D
1	11-15-54	ISSUED FOR FABRICATION			
2	11-15-54	REVISIONS			
3	11-15-54	REVISIONS			
4	11-15-54	REVISIONS			
5	11-15-54	REVISIONS			
6	11-15-54	REVISIONS			
7	11-15-54	REVISIONS			
8	11-15-54	REVISIONS			
9	11-15-54	REVISIONS			
10	11-15-54	REVISIONS			
11	11-15-54	REVISIONS			
12	11-15-54	REVISIONS			
13	11-15-54	REVISIONS			
14	11-15-54	REVISIONS			
15	11-15-54	REVISIONS			
16	11-15-54	REVISIONS			
17	11-15-54	REVISIONS			
18	11-15-54	REVISIONS			
19	11-15-54	REVISIONS			
20	11-15-54	REVISIONS			
21	11-15-54	REVISIONS			
22	11-15-54	REVISIONS			
23	11-15-54	REVISIONS			
24	11-15-54	REVISIONS			
25	11-15-54	REVISIONS			
26	11-15-54	REVISIONS			
27	11-15-54	REVISIONS			
28	11-15-54	REVISIONS			
29	11-15-54	REVISIONS			
30	11-15-54	REVISIONS			
31	11-15-54	REVISIONS			
32	11-15-54	REVISIONS			
33	11-15-54	REVISIONS			
34	11-15-54	REVISIONS			
35	11-15-54	REVISIONS			
36	11-15-54	REVISIONS			
37	11-15-54	REVISIONS			
38	11-15-54	REVISIONS			
39	11-15-54	REVISIONS			
40	11-15-54	REVISIONS			
41	11-15-54	REVISIONS			
42	11-15-54	REVISIONS			
43	11-15-54	REVISIONS			
44	11-15-54	REVISIONS			
45	11-15-54	REVISIONS			
46	11-15-54	REVISIONS			
47	11-15-54	REVISIONS			
48	11-15-54	REVISIONS			
49	11-15-54	REVISIONS			
50	11-15-54	REVISIONS			
51	11-15-54	REVISIONS			
52	11-15-54	REVISIONS			
53	11-15-54	REVISIONS			
54	11-15-54	REVISIONS			
55	11-15-54	REVISIONS			
56	11-15-54	REVISIONS			
57	11-15-54	REVISIONS			
58	11-15-54	REVISIONS			
59	11-15-54	REVISIONS			
60	11-15-54	REVISIONS			

ASSY DWG REF DWG



REF DWG 1-ASSY HEAD FD #203930
 2-ASSYS. REF.DW. FO.# 202112.10
 *FO.# 16830
 *FO.# 16920
 *FO.# 19083
 #FO.# 11711

ALL FITS TO BE SWINGELOCK FITS.

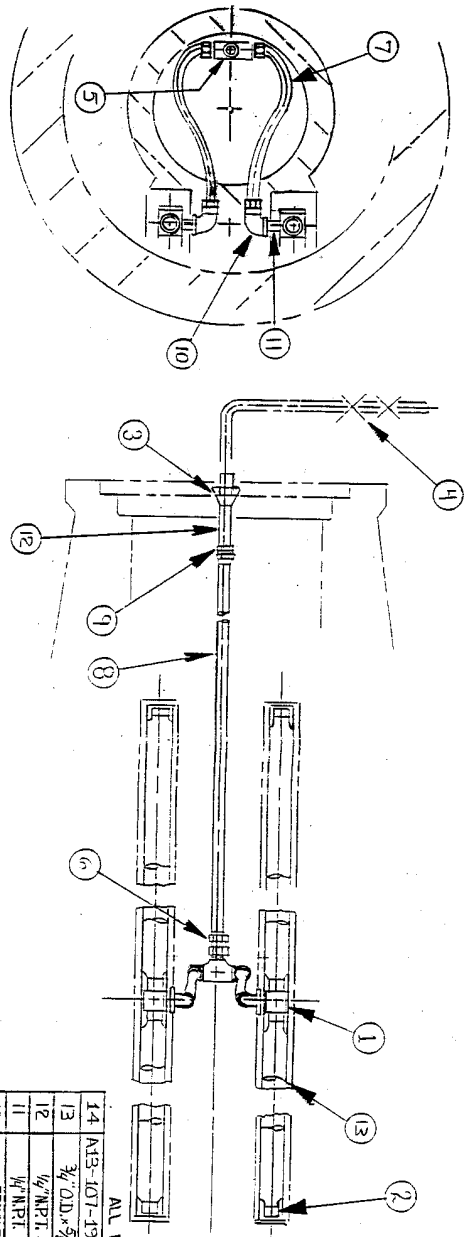
NO.	DATE	DESCRIPTION
8		MALE ELBOW # SS-400-2-4 (1)
7		1/4" STS. ST. TUBE (0.91" WML) X 10 FT.
6		FEMALE TERRACH TEE # SS-400-3-4 TT (1)
5		MALE CONNECTOR # SS-660-1-4 (1)
4		3/8" STS. ST. TUBE (0.91" WML) X 20 FT.
3		FEMALE CONNECTOR # SS-660-1-4 (1)
2		1/4" NPT. X 8" STS. NIPPLE (1)
1		A13-101-52 SPLIT BUSHING (1)

MIAMI MACHINE CORP.
 OVERPECK, OHIO 45065

ASSY OF SEALING WATER

NO.	DATE	DESCRIPTION
1		

SCALE BY DATE DWG NO. B13-132-C



PART #13 = 20 FT. *FD# 16830
 PART #13 = 13 FT. *FD# 16920
 *FD# 16830
 *FD# 16920
 PART #13 = 30 FT. F.O. # 19083
 *FD# 16830
 *FD# 16920
 2-MSSTYS. REORD. F.O. # 20742D
 PART #13 = 30 FT.
 PART #13 = 17 FT. F.O. # 20330

NO.	DATE	DESCRIPTION
1	12/01/52	REVISION

NO.	DATE	DESCRIPTION
1	12/01/52	REVISION

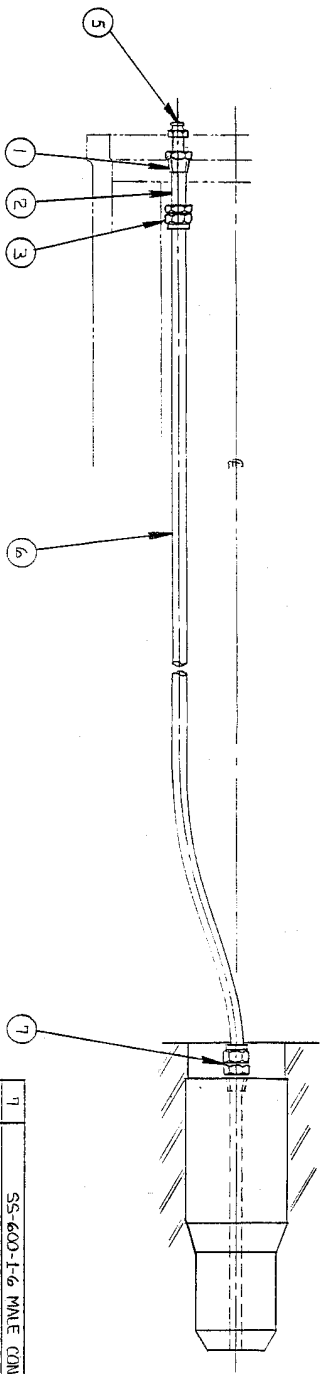
NO.	DESCRIPTION	QTY	UNIT
1	A13-101-50 HOSE TEE	1	
2	A13-101-51 HOSE TEE	1	
3	A13-101-52 SPLIT TUBING	1	
4	A13-101-53 FILTER	1	
5	FEMALE BRANCH TEE #SS-400-3-117F	1	
6	MALE CONNECTOR #SS-600-1-4	1	
7	3/8" ST. S. TUBE (DHT WALL) x 20 FT.	1	
8	1/4" ST. S. TUBE (DHT WALL) x 10 FT.	1	
9	FEMALE CONNECTOR #SS-600-1-4	1	
10	FEMALE ELBOW #SS-400-8-4	1	
11	1/4" NPTI CLOSE NIPPLE	1	
12	3/4" O.D. x 3/8" I.D. NEOPRENE TUBING	1	FT.
13	3/4" O.D. x 3/8" I.D. NEOPRENE TUBING	1	FT.
14	A13-101-19 AIR TUBE SUPPORT STRIP	1	

TITLE
 ASSEMBLY OF AIR TUBES
 MIAMI MACHINE CORP.
 OVERPECK, OHIO 45056

DATE
 12/01/52
 BY
 EWS
 DWN
 NO.
 B13-132-B

DWG NO. **B**
 ASSY. DWG. REF. DWG.

ITEM QUAN. DESCRIPTION MAT'L SOURCE



1-ASSY. EQ. # 209330
 Z-ASSY. EQ. # 20242-D
 1-ASSY. EQ. # 19771
 * 1-ASSY. EQ. # 19083
 * 1-ASSY. EQ. # 11633
 * 1-ASSY. EQ. # 11633
 * 1-ASSY. EQ. # 11633

NO.	DATE	DESCRIPTION
1	NOV 22 1977	REVISION

NO.	DATE	DESCRIPTION
1	NOV 22 1977	REVISION

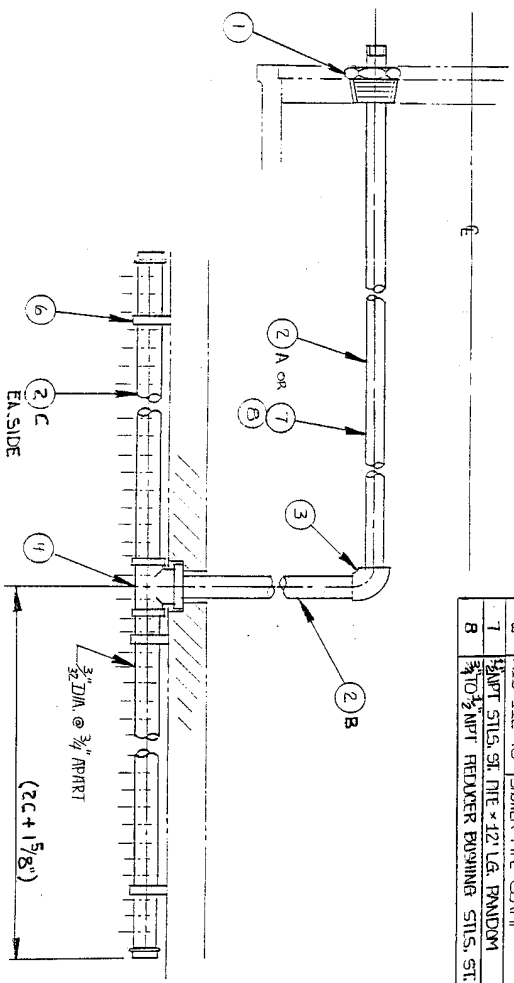
PART	DESCRIPTION	QTY
1	SS-600-1-6 MALE CONN.	1
2	3/8" STLS. ST. TUBING * 16 FT. LG.	1
3	3/8" NPT. (FMS) FTG.	1
4	SS-600-7-4 FEMALE CONN.	1
5	A13-102-64 GREENE LINE 8" LG.	1
6	A13-101-52 SPLIT BRUSHING	1
7	MIAMI MACHINE CORP. OVERPECK, OHIO 45055	1

TITLE
 ASS'Y. OF INTERNAL BRG. GRS.

SCALE
 BT 1/2" = 1"
 DATE 3-31-86
 DWG. NO. B13-112-C

THIS DRAWING IS THE PROPERTY OF THE MIAMI MACHINE CORP. AND SHALL REMAIN THE PROPERTY OF THE MIAMI MACHINE CORP. AND SHALL NOT BE REPRODUCED OR USED FOR ANY PURPOSE WITHOUT THE WRITTEN CONSENT OF THE MIAMI MACHINE CORP.

PART	DWG. NO.	DESCRIPTION	QTY
1	A13-ID1-52	SPLIT BUSHING	1
2	3/4" STLS. ST. PIPE - 1/4" RANDOM		2
3	3/4" NPT. F. ELL. STLS. ST.		1
4	3/4" NPT. STLS. TEE		1
5	3/4" NPT. STLS. CAP		2
6	A13-112-48 SHOWER PIPE CLAMP		3
7	3/4" NPT. STLS. ST. PIE x 12" LG. RANDOM		1
B	3/4" x 1/2" NPT. FLEXIBLE BUSHING STLS. ST.		1



FIGS. 1 & 2 - 9/16\"

QTY	DESCRIPTION	UNIT	AMOUNT	REMARKS
1	202112-D	1	47 7/8"	78 1/2"
2	9 1/8"	2	27 1/8"	5 1/2"
1	105"	1	27 1/8"	6 5/8"
1	9 1/4"	1	5 3/8"	60 3/8"
1	5 3/8"	1	53 1/4"	NUIT
1	3 7/8"	1	92 1/2"	READ
1	2 1/8"	1	4 1/2"	
1	2 1/8"	1	2 1/8"	
1	9 1/4"	1	5 3/8"	
1	5 3/8"	1	53 1/4"	
1	3 7/8"	1	92 1/2"	
1	2 1/8"	1	4 1/2"	
1	2 1/8"	1	2 1/8"	
1	9 1/4"	1	5 3/8"	
1	5 3/8"	1	53 1/4"	
1	3 7/8"	1	92 1/2"	
1	2 1/8"	1	4 1/2"	
1	2 1/8"	1	2 1/8"	

NO.	DATE	DESCRIPTION

PART	DWG. NO.	DESCRIPTION

TITLE
ASSY OF SHOWER WAFER

BY	DATE	DWG. NO.
JTZ	4-1-50	B13-112-E