

NOTES

1. Recommended Lubricant: Lithium based, multiservice, extreme pressure grease such as EP 0, EP 1 or EP 2.

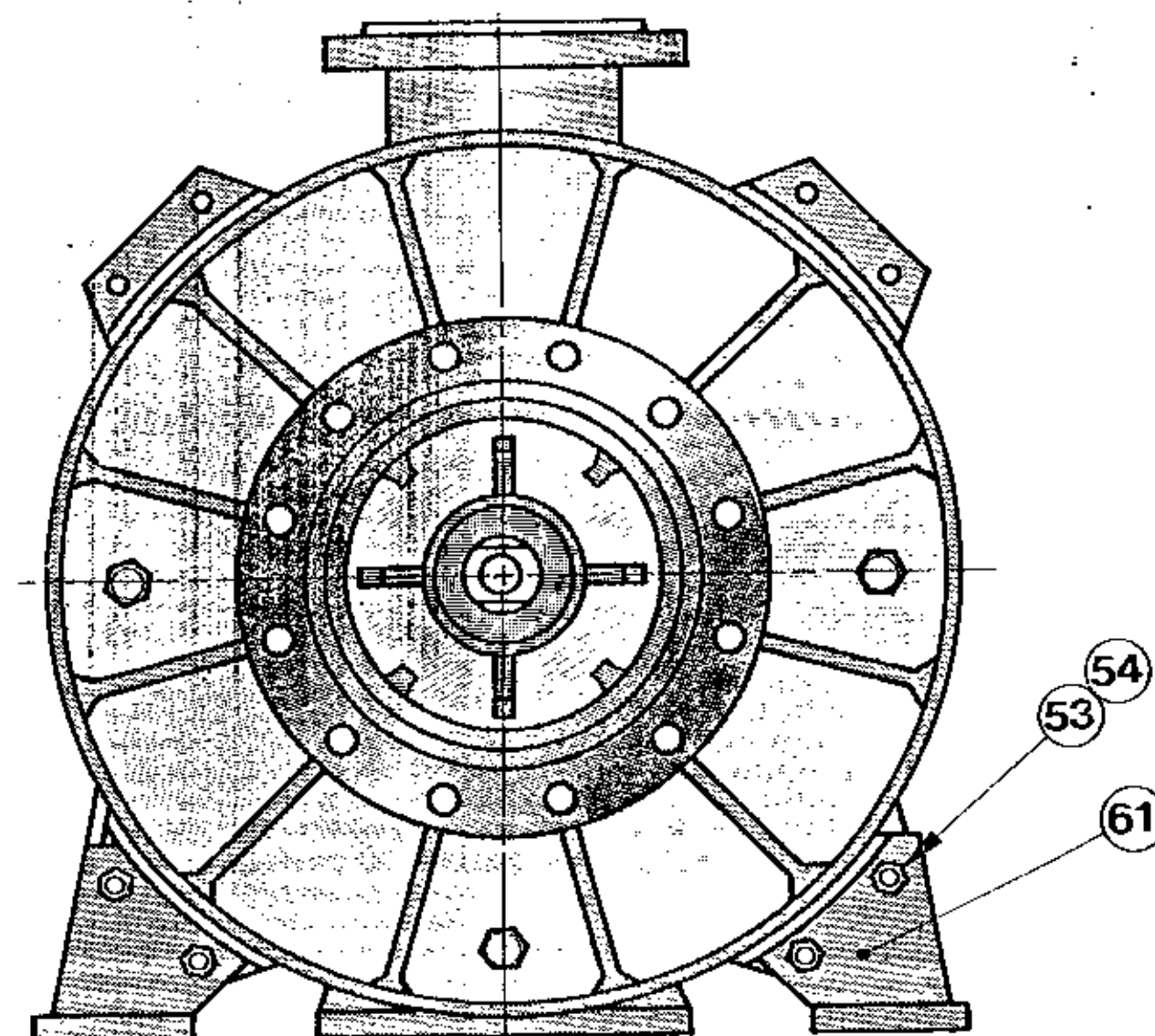
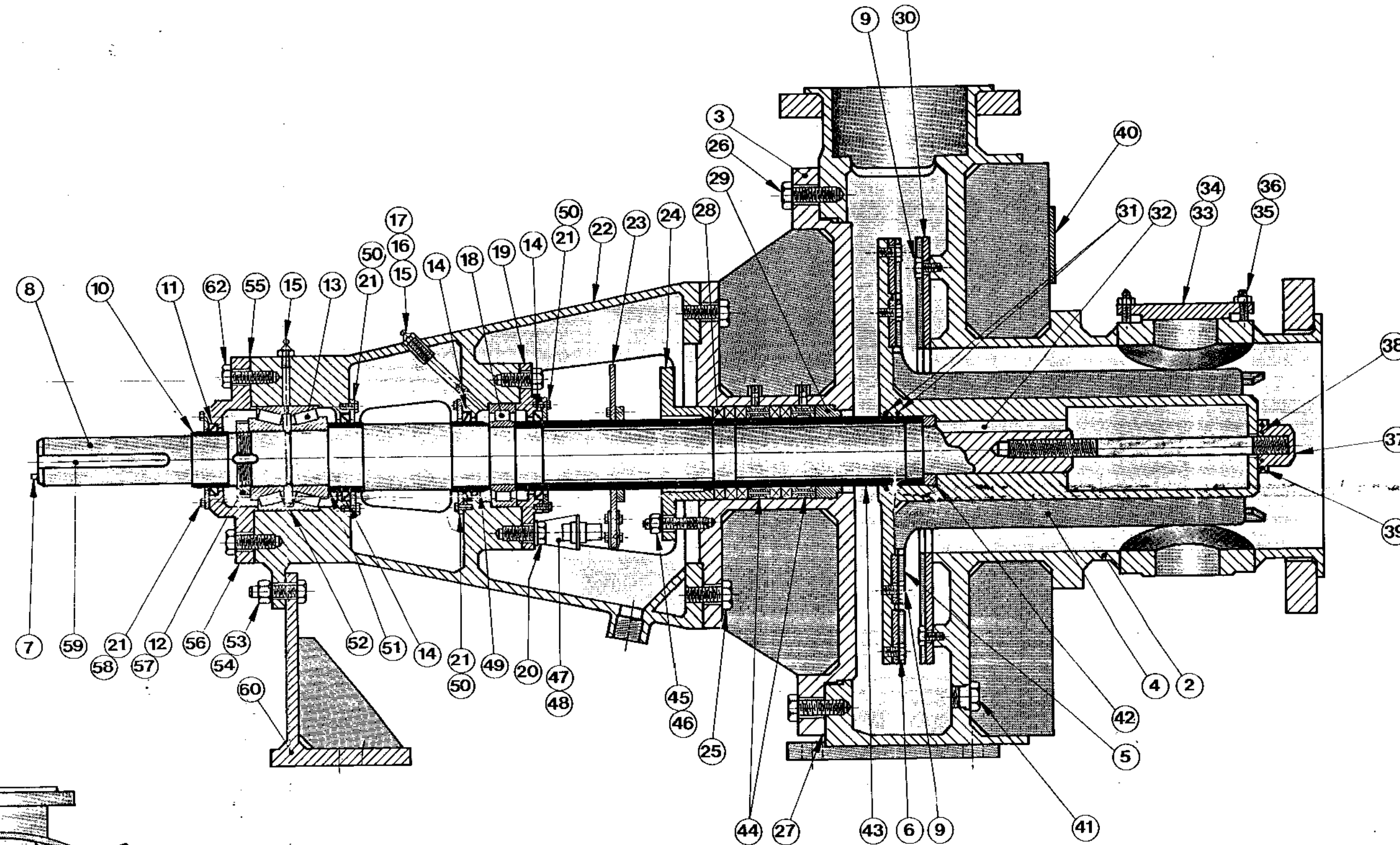
	Item 13	Item 18
Initial Charge	12 oz.	5 oz.
Recharge	5 oz./500 hrs.	2 oz./1500 hrs.

2. Kamy's standard spare parts package consists of the following items: Shaft (item 8) with Wear Sleeves (items 10, 43, 49 and 51) and Keys (items 32 and 59). Rotor (item 4) with Inner Rotor Disc (item 5) and Outer Rotor Disc (item 6), are assembled with capscrews (item 9) and dynamically balanced. Also included in the package are, Cap-Stud Assembly, (item 37), Wear Ring (item 29) and two Lantern Rings (item 44)

3. Split seal replacement (item 11), is a No. 25003-2225, Model 23-Viton.

4. Split seal replacement (item 14), is a No. 25003-2540, Model 23-Viton.

5. When ordering spare parts, consult your spare part quotation for recommended quantities. Be sure all items obtained from local suppliers, are as specified or equal.
 ● = Obtain from Kamy Inc.
 ▲ = Obtain from local suppliers

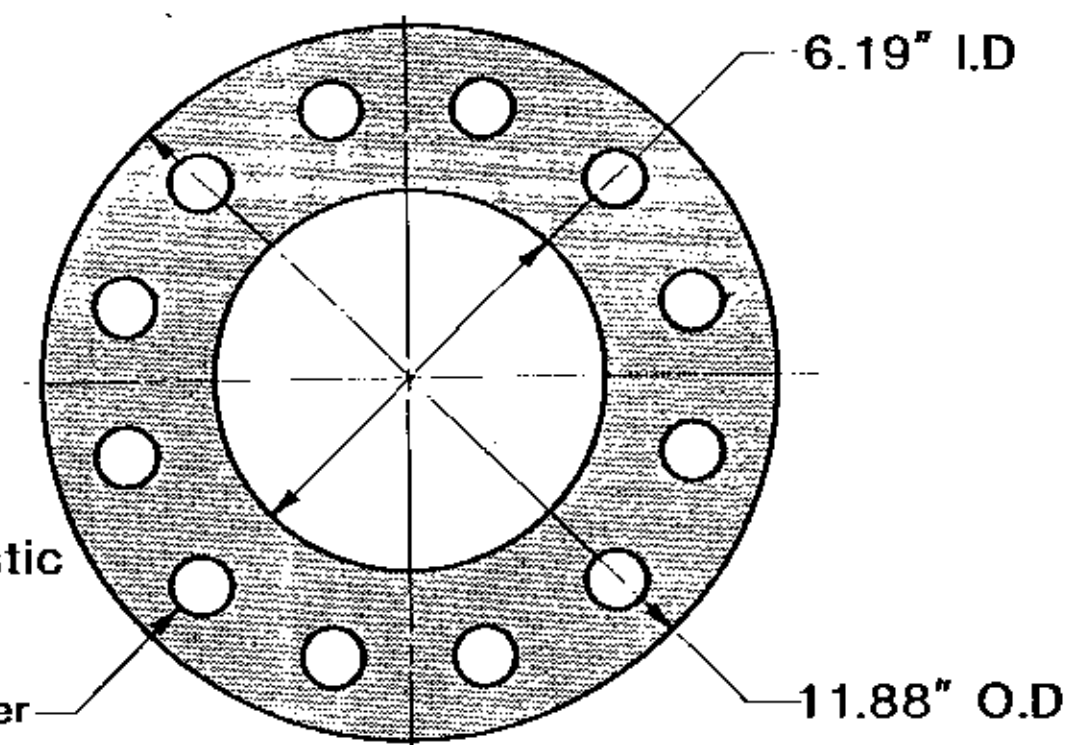


END VIEW - INLET

Qty.	Thk.
4	.001"
2	.005"
3	.010"

Material: Brass or Plastic

1" diameter through, 12 holes equally spaced on a 9.5" diameter bolt circle. Straddle center lines.



DETAIL - ITEM 55

62	12	Hex Head Capscrew	7/8"-9UNC x 2-1/2" Lq.	A193-B8	
61	2	Housing Stand		304L	
60	1	Drive Stand		304L	
59	1	Key ONE END ROUND	5/8" x 5/8" x 7-5/16" Lq.	A108-1018	▲
58	1	Split Back-Up Plate		304	▲
57	1	Bearing Locknut	AN-17 85mm Bore	SKF	▲
56	1	Thrust Bearing Cover		304	
55	1	Shm Pack	SEE DETAIL	Plastic or Steel	
54	11	Hex Nut	3/4"-10UNC	A194-Gr 8	
53	11	Hex Head Capscrew	3/4"-10UNC x 2-1/2" Lq.	A193-B8	
52	1	Bearing Spacer		304	▲
51	1	Wear Sleeve		304	▲
50	3	Split Back-Up Plate		304	▲
49	1	Wear Sleeve		304	▲
48	1	Speed Switch Bracket		304	
47	1	Proximity Switch	PS-111/QS-132	Autotech	▲
46	3	Hex Nut	5/8"-11UNC	A194-Gr 8	
45	3	Threaded Stud	5/8"-11UNC x 3-1/2" Lq.	A193-B8	
44	2	Lantern Ring	25% Glass Filled Teflon		▲
43	1	Wear Sleeve		Titanium	▲
42	1	Spacer Ring		A240-304	▲
41	3	Hex Head Pipe Plug	1"-11-1/2NPT	SB348-Gr 2	
40	1	Wear Ring			▲
39	1	O-Ring	V-884-75 No. 2-228	Parker	▲
38	1	O-Ring	V-884-75 No. 2-221	Parker	▲
37	1	Cap-Stud Ass'y.		Titanium	▲
36	12	Stud	5/8"-11UNC x 3" Lq.	SA-193-B8	
35	12	Hex Nut	5/8"-11UNC	SA-194-Gr 8	
34	3	Brnd Flange	3"-150lb. Raised Faced	SA-240-304	
33	3	Gasket	1/8" Thk. x 5" O.D. 25% Glass Filled Teflon		▲
32	1	Key BOTH ENDS ROUND	5/8" x 5/8" x 7-13/16" Lq.	A276-316	▲
31	2	O-Ring	V-884-75 No. 2-345	Parker	▲
30	1	Stationary Disc		Titanium	▲
29	1	Wear Ring	25% Glass Filled Teflon		▲
28	5	Packing Ring	5/8" x 5-1/4" O.D. x 4" I.D. J.M. AF-5326		▲
27	1	Gasket	1/8" x 26-3/8" O.D. x 32" O.D. 32" Holes equally spaced on a 29" Dia. Bolt Circle.	J.M. 86A	▲
26	32	Hex Head Capscrew	7/8"-9UNC x 2-1/2" Lq.	SA193-B8C12	
25	12	Hex Head Capscrew	7/8"-9UNC x 2" Lq.	A193-B8	
24	1	Split Gland		A240-304	
23	1	Finger Assembly		304L	
22	1	Bearing Housing			
21	24	Hex Head Capscrew	1/4"-20UNC x 1/2" Lq.	A193-B8	
20	8	Hex Head Capscrew	3/4"-10UNC x 1-3/4" Lq.	A193-B8	
19	1	Radial Bearing Cover		304	
18	1	Cylindrical Roller Bearing	No. NU2217 85mm Bore	SKF	▲
17	1	Nipple	1/4" Sch. 40 x 4" Lq.	A312 TP304	
16	1	Coupling	1/4 NPT	A182 F 304	
15	2	Grease Fitting	1/4 NPT No. 1627B	Alemite	
14	3	Oil Seal	SEE NOTE 4 No. 21086-2540 Model No. 53	Viton-Garlock	▲
13	2	Tapered Roller Bearing	No. 33217 85mm Bore	SKF	▲
12	1	Bearing Lockwasher	No. W17	SKF	▲
11	1	Oil Seal	SEE NOTE 3 No. 21086-2225 Model No. 53	Viton-Garlock	▲
10	1	Wear Sleeve		304	▲
9	36	Hex Head Capscrew	1/2"-13UNC x 3/4" Lq.	B346 Gr 5	
8	1	Shaft		Ferrallium Alloy 225	▲
7	1	Socket Head Pipe Plug	1/4" NPT	A182F 304	
6	1	Rotor Disc - Outer		Titanium	▲
5	1	Rotor Disc - Inner		Titanium	▲
4	1	Rotor		Titanium	▲
3	1	Housing Cover		Titanium	▲
2	1	Housing		Titanium	▲
1	1	Assembly			

Tolerances, Unless Noted Otherwise		NOTE		SURFACE FINISH - RMS		DATE: SEPT '84		MC MIXER		KAMYR INC.	
Fabricated (Fractional)	Machined (Decimal)	THIS DRAWING IS THE PROPERTY OF KAMYR, INC. NEITHER THIS DRAWING OR ANY DATA OR INFORMATION THEREIN SHALL BE COPIED OR REPRODUCED IN ANY MANNER, LOANED OR OTHERWISE DISPOSED OF, OR USED FOR ANY PURPOSE WHATSOEVER WITHOUT THE PRIOR WRITTEN PERMISSION OF KAMYR, INC. IF THIS DRAWING IS LOANED BY OR WITH AUTHORITY OF KAMYR, INC., THE BORROWER, IN CONSIDERATION OF SUCH LOAN, AGREES TO THE FOREGOING CONDITIONS AND TO RETURN THIS DRAWING UPON REQUEST.		L	ROUGH	100 MICRO IN.		MXT-30/20 TITANIUM		GLENS FALLS, N. Y.	
under 12" ± 1/16"	2 place XXX ± .05"			M	MEDIUM	250 MICRO IN.	R. M. PAT.				
12" to 120" ± 1/8"	3 place XXX ± .010"			F	FINE	125 MICRO IN.					
over 120" ± 1/4"				C	EXTRA FINE	63 MICRO IN.	RCC PAT.				
Angular	± 1/2" not to exceed 1/16" per 12"			D	EXTRA FINE	32 MICRO IN.		SCALE: NONE		1-13113-21R6	